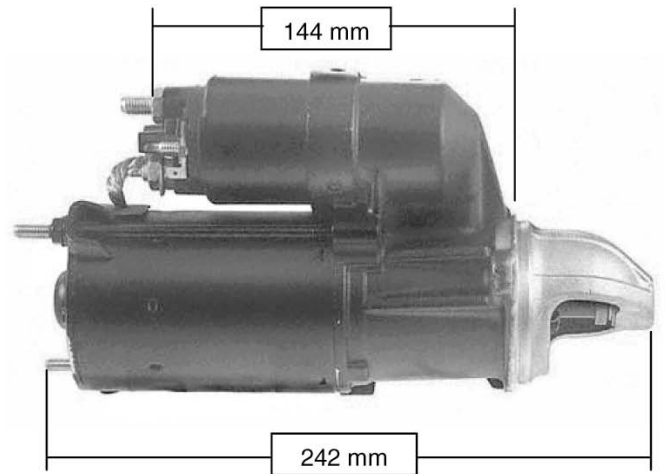


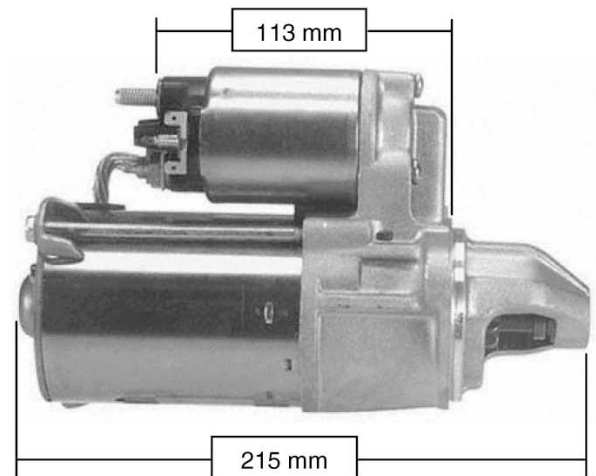
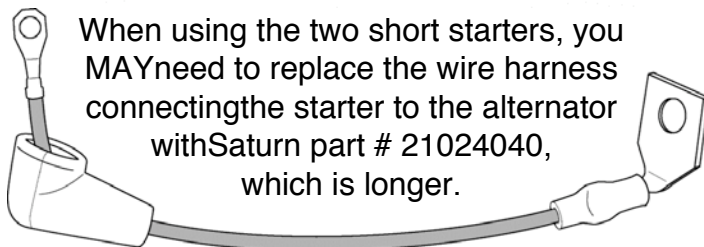
### DELCO LONG (First design)

This is the original starter for '91 – '94. Because of the length of the starter, a rear support bracket is required. This starter is no longer available through Saturn. It has been superseded to the shorter DELCO or VALEO units shown below.



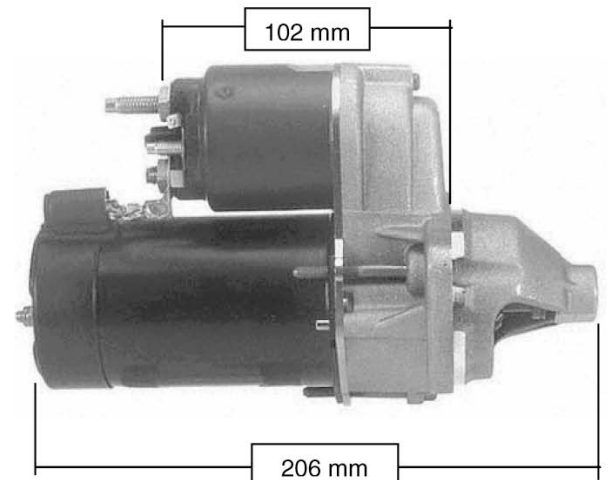
### DELCO SHORT (Second design)

This is the second version supplied by Saturn from '95-On. Because of it being shorter, a rear support bracket is not needed.



### VALEO SHORT (Third design)

This represents the third version supplied by Saturn from '95-On. Because of the shorter design, a rear support bracket is not needed.



**ALL THE PICTURED STARTERS  
ARE COMPLETELY  
INTERCHANGEABLE**