

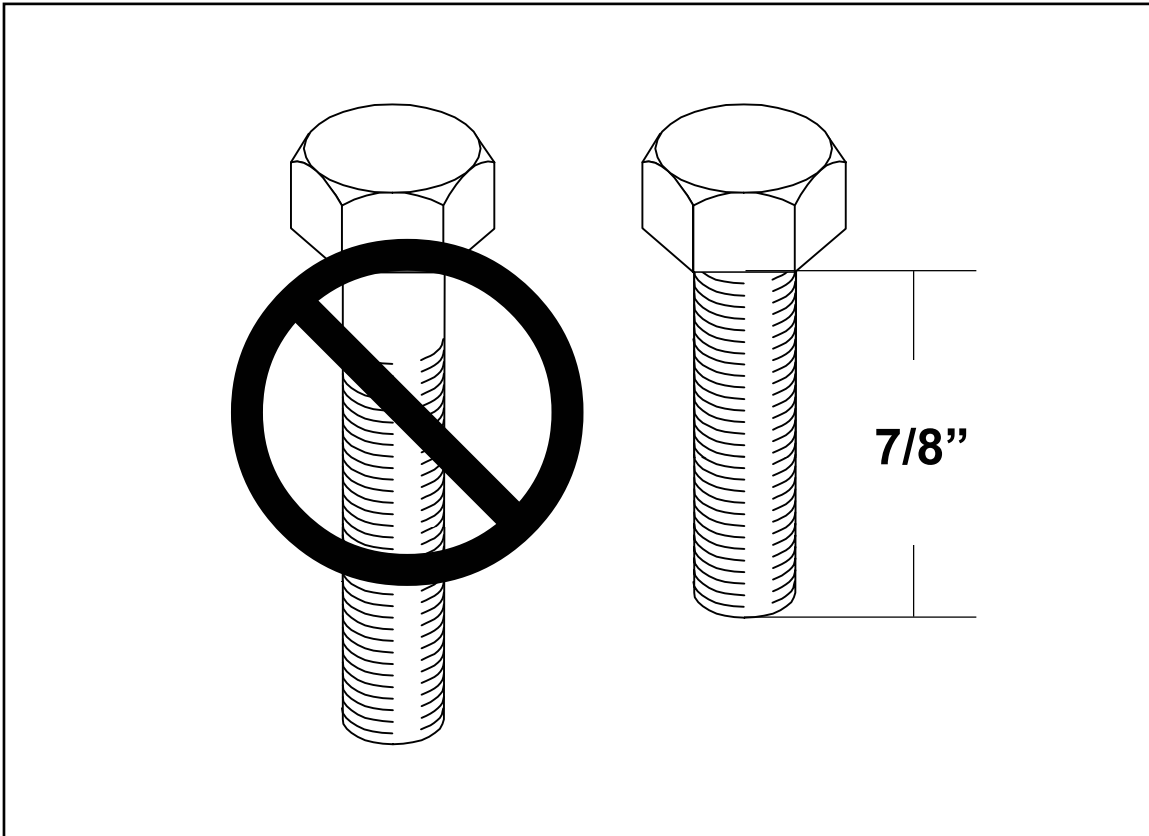
CAUTION!

SPECIAL ASSEMBLY INSTRUCTIONS

Failure to follow the instructions will void the warranty on this pump.

When installing this water pump:

1. Use the mounting bolts (5/16-18 x 7/8" LG.) provided in the package or equivalent.
2. Tighten the bolts to 12-18 ft. lbs. (17-24 Nm).



Although care has been taken to assure the accuracy of the data compiled in this publication, the manufacturer does not assume any liability for errors or omissions.