

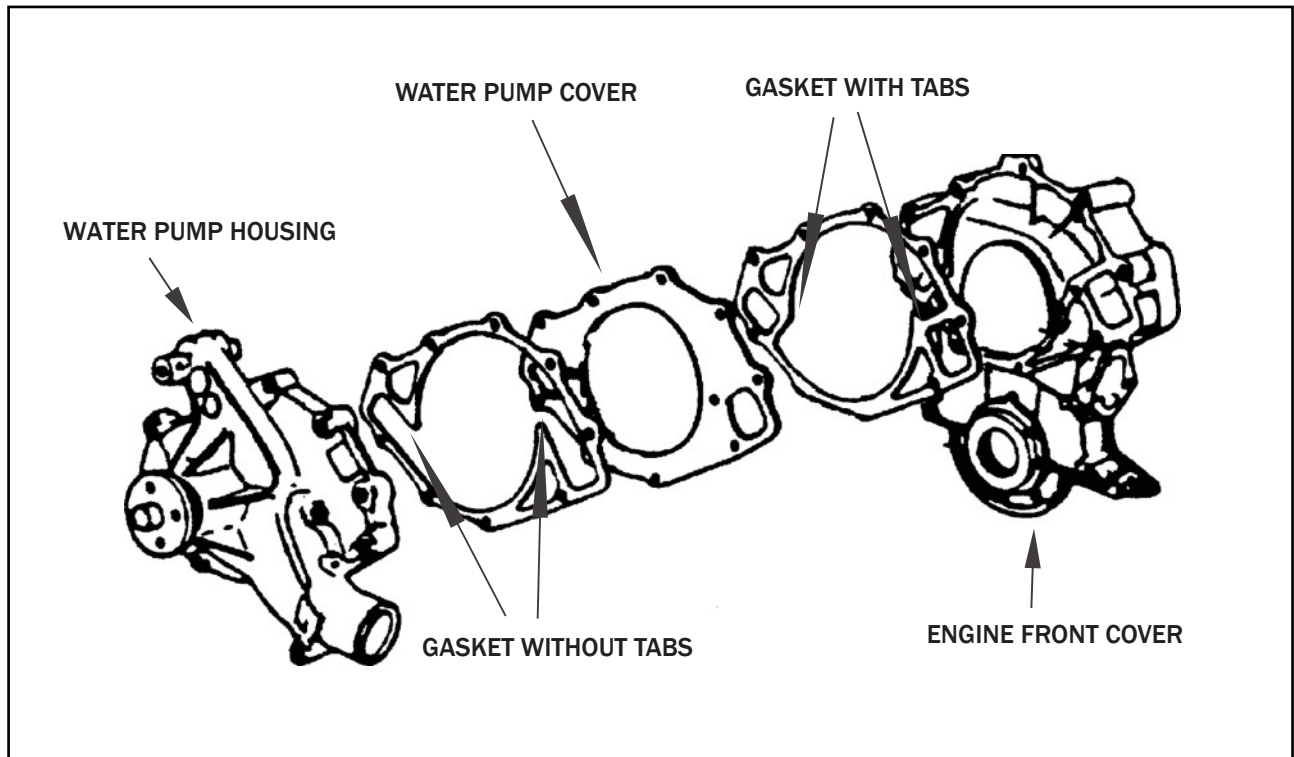
CAUTION!

SPECIAL ASSEMBLY INSTRUCTIONS

Failure to follow the instructions will void the warranty on this pump.

Install gasket without tabs between water pump housing and water pump cover plate. Install gasket with tabs between water pump cover plate and engine front cover.

(See illustration)



Although care has been taken to assure the accuracy of the data compiled in this publication, the manufacturer does not assume any liability for errors or omissions.