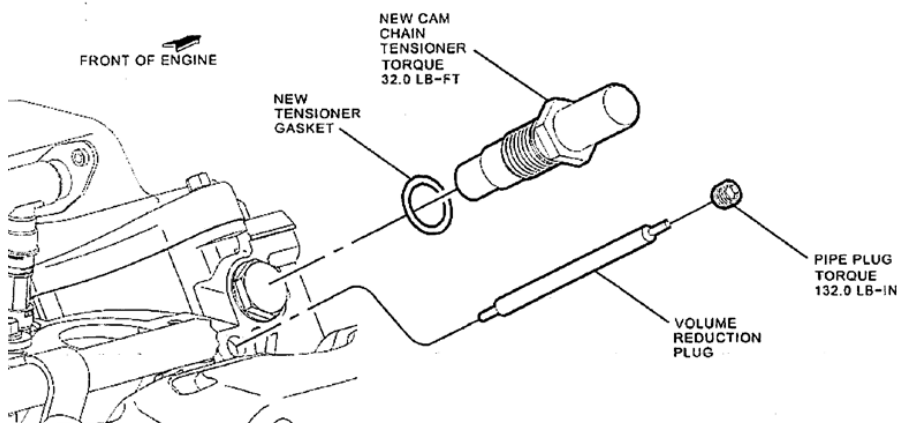


TENSIONER INSTALLATION

Ford, Lincoln, Mercury 4.0L SOHC Vin E, K

Front Left Hydraulic Tensioner



1. Remove Tensioner
2. Remove Pipe Plug and Volume Reduction Plug
3. Install new Tensioner and Gasket and tighten to 44Nm (32 ft.lbs.)
4. Install new Volume Reduction Plug
5. Install new Pipe Plug and tighten to 15 Nm (132in lbs.)

Volume Reduction Plug helps maintain proper oil flow.

**OVER TORQUING THE TENSIONER
CAN CAUSE ENGINE DAMAGE!!**