



CUSTOM MOLDED  
**CARGO LINER**  
Model No. XX847 Mitsubishi Montero

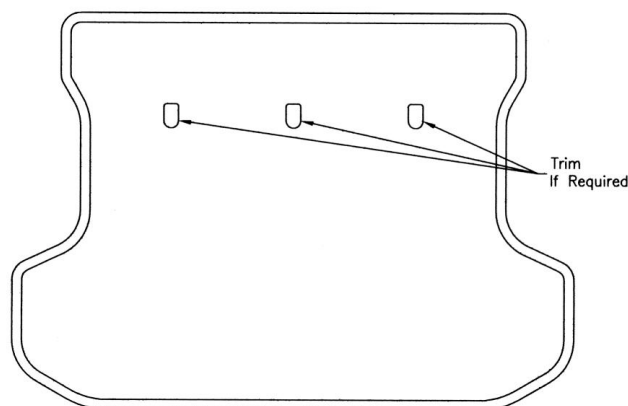
***Congratulations!***

You have just purchased a fine, high quality product from Highland Group Industries that will offer your vehicle the ultimate in cargo area protection for years to come. We are so confident that you will love this product, Highland makes this offer: Try our product for 30 days, and if you are not satisfied, return the product, along with the original receipt, to the place of purchase for a full refund.

**Helpful Hint: This Cargo Liner has been rolled for ease of shipment. To allow the Cargo Liner to unroll properly, simply leave out (logo side facing down) at room temperature for a few hours or overnight. It will return to its original shape.**

Installation:

1. After the cargo liner has returned to its original flat position, simply insert it into the cargo area of the vehicle.
2. The liner fits behind the second seat. The third seat must be folded down.
3. To access the third point child seat tethering anchor, trim off the corresponding raised area as shown in the figure.



Cleaning:

- This Cargo Liner is resistant to most fluids. Use caution when transporting corrosive chemicals. Should a spill occur, remove the Cargo Liner immediately and rinse with water.
- Remove heavy soiling by washing with a mild detergent and warm water. The Cargo Liner's bottom surface must be dry before re-installing in vehicle.
- To keep the Liner gleaming, wipe with clean cloth and automotive vinyl or leather cleaners. Note: Use of cleaning fluids other than soap and water may make the surfaces slippery.

If you have questions, call us at 1-800-234-6992 or visit our Web site at [www.highlandusa.com](http://www.highlandusa.com).