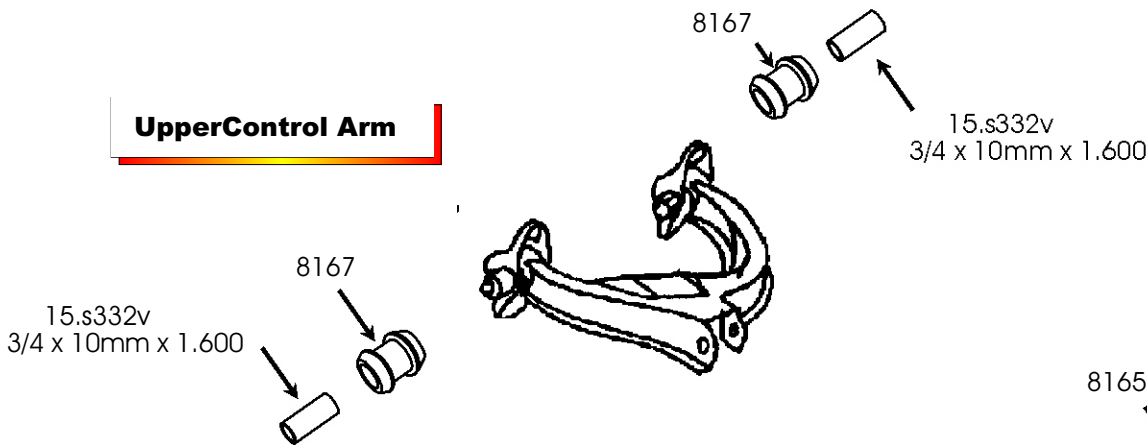


INSTALLATION INSTRUCTIONS FOR SET #5-3119

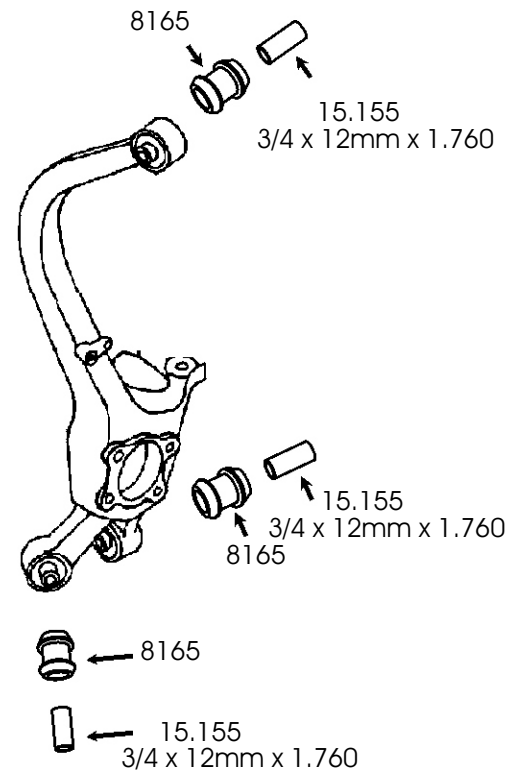
© 2003 Energy Suspension. All rights reserved.
May not be reproduced, in any form, or by any means,
without the written consent of Energy Suspension.

1. Properly support the vehicle on the frame.
2. Unbolt the upper control arm and pivot bushing assembly from the vehicle. Unbolt the upper control arm from the pivot bushing assembly.
3. Remove the rubber bushing and shells from the pivot bushing assembly. A hydraulic press will be needed. Clean the pivot bushing assembly and lubricate the inside of the barrel. Grease all sides of the bushing that contact metal. Press in the Energy Suspension bushing.
4. Reassemble and reinstall the upper control arm assembly onto the vehicle.
5. Repeat steps 2-4 for knuckle bushing locations.
6. Remove the lower trailing arm.
7. Press out the bushing including it's shell from the trailing arm.
8. Grease the I.D. of the lower trailing arm (where the shell was). Grease the Energy Suspension bushing. Grease all sides of the bushing that contact metal.
9. Install the bushing. Grease the sleeve and install the sleeve.
10. Reassemble the trailing arm onto the vehicle. Tighten all fasteners to factory specs.
11. Perform a complete wheel alignment after completion of work.

UpperControl Arm



Rear Knuckle



Lower Trailing Arm

