



Installation Instructions

AS-7055

Rear Air Spring for

HUMMER H2 2003-09

Westar Distribution
10110 Molecular Dr.,
Suite 109,
Rockville, MD 20794
Ph: 1-800-WESTAR4
Fx: 301-776-2860



AS - 7055 INS



WARNING Suspension system is under 10 bar Air pressure.



WARNING Read instructions before Disassembly and Installation.



WARNING Disconnect battery Ground cable.



WARNING Wear proper protective gear like safety glasses, gloves and ear plugs.

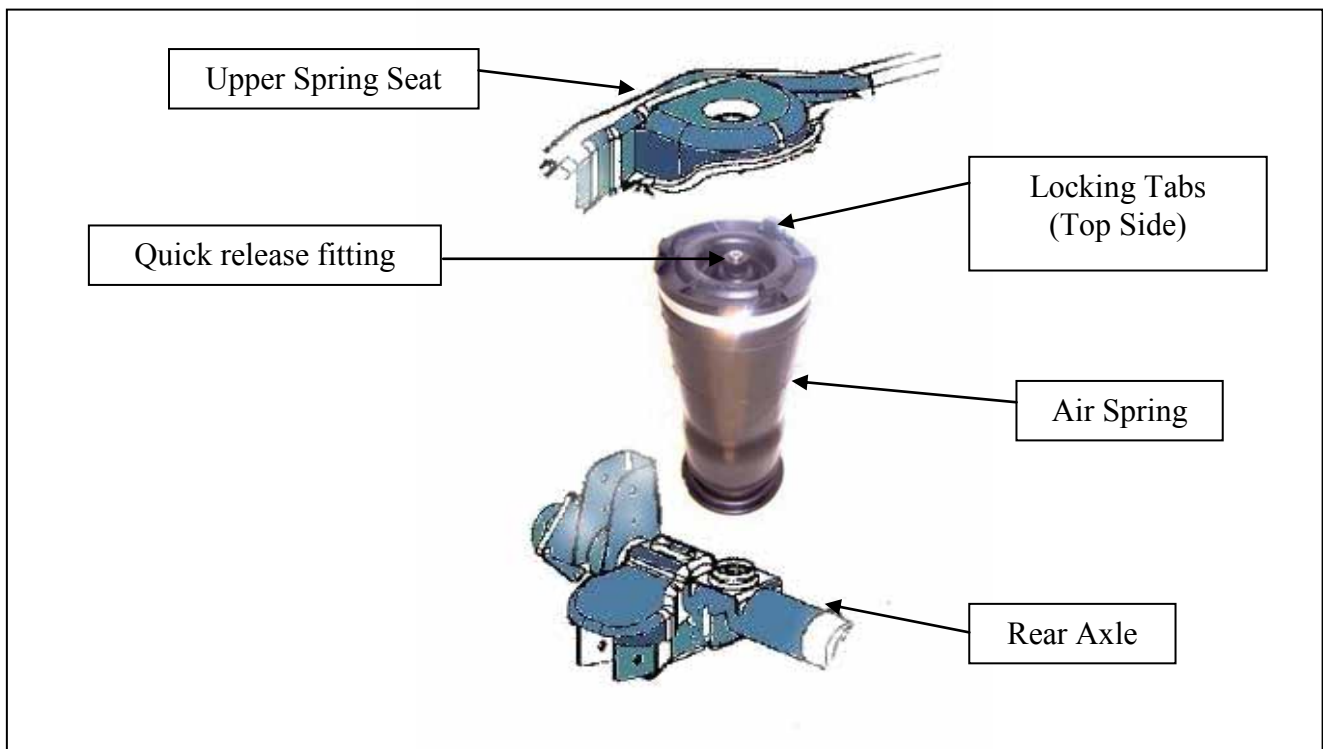


WARNING Ensure that you have proper tools and equipment e.g. Lifting Jack, Supporting stands, Socket Set, Torque Wrench..



REMOVAL of AIR SPRING:

1. Turn-off the air suspension switch in the rear of the vehicle.
2. Using proper equipment, raise the vehicle and support the rear of vehicle. Rear Axle should hang but must be supported.
3. Remove both the rear wheels.
4. Air Suspension system should be depressurized.
5. Wait for air to bleed completely.
6. Press the Retainer tab on top plate and rotate the Air Spring Clockwise to release it from Upper Spring Seat.
7. Remove the tubing from Air spring by depressing the quick release fitting.
8. Remove the old Air spring from bottom support on the Rear Axle.





INSTALLATION of AIR SPRING:

1. Mount the New Air Spring in the lower frame seats.
2. Install the top in the upper bracket and rotate to lock in position.
3. Insert tubing in the quick release fitting till it hits the bottom and locks.
4. Insert the tubing in the compressor.
5. Install the wheels torque the nuts as recommended in the manual.
6. Reconnect the ground cable.
7. Start the vehicle and fill air in the Air Spring.
8. Test-drive the vehicle. Any questions call our technical helpline on 301-490-0010.