

# Installation Instructions

## Toyota Tacoma

Part Numbers:

**33025**

**44051**

**Do Not Exceed Lower of Towing Vehicle  
Manufacturer's Rating or**

Hitch type	Max Gross Trailer WT (LB)	Max Tongue WT (LB)
Weight Distributing	<b>5500 (2497 Kg)</b>	<b>550 (250 Kg)</b>
Weight Carrying Ball Mount	<b>5000 (2270 Kg)</b>	<b>500 (227 Kg)</b>

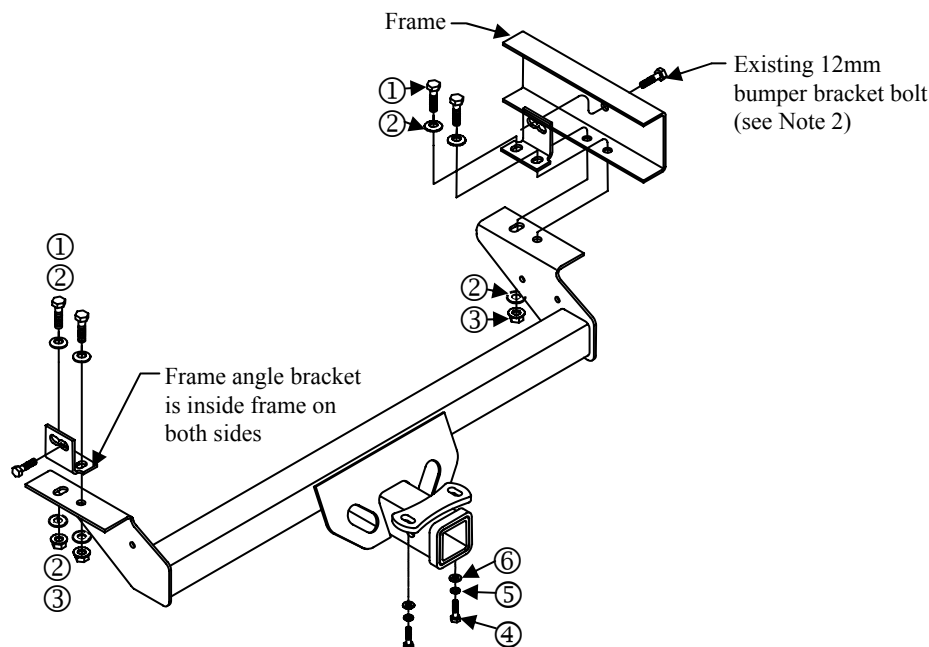
### Equipment Required:

**Fastener Kit:** F33025

**Wrenches:** 9/16, 3/4, 18mm, 19mm, #45 Torx®

**Drill Bits:** None

**Wiring Access Location:** PU1, PU2



①	Qty. (4)	Bolt 1/2-13 X 1.75	④	Qty. (2)	Bolt 3/8-16 X 1.50
②	Qty. (8)	Conical Washer 1/2	⑤	Qty. (2)	Lock Washer 3/8
③	Qty. (4)	Hex Nut 1/2-13	⑥	Qty. (2)	Flat Washer 3/8

1. Remove (2) two center Torx head bolts from bottom of bumper (3/8" bolts).
2. Remove (1) one nut from existing bumper bracket bolt at location shown above.
3. Set angle bracket in place over existing bumper bolt as shown.
4. Raise hitch up to frame and align rearmost holes in frame and bracket, install 1/2" hex head bolt with 1/2" toothed washer through angle bracket, frame, and hitch bracket. Loosely apply 1/2" flanged locknut. This will hold receiver in place.
5. Install 3/8" hex bolt with 3/8" lock washer and 3/8" toothed washer, through strap on the end of the hitch box from bottom and into bumper where torx head bolts were removed (See diagram on other side).
6. Install 1/2" hex head bolt with 1/2" toothed washer through angle bracket, frame and hitch in forward hole in frame. Install 1/2" flanged locknut on the bolt.
7. Reinstall nuts on 12mm bumper bracket bolts.
8. It may be necessary to remove the rubber muffler hanger so that the nut above the exhaust can be torqued.
9. Tighten all fasteners.

Tighten all 1/2" fasteners with torque wrench to 75 Lb.-Ft. (102 N\*M)

Tighten all 3/8" fasteners with torque wrench to 35 Lb.-Ft. (47 N\*M)

Tighten all 12mm fasteners with torque wrench to 85 Lb.-Ft. (115 N\*M)

Note: check hitch frequently, making sure all fasteners and ball are properly tightened. If hitch is removed, plug all holes in trunk pan or other body panels to prevent entry of water and exhaust fumes. A hitch or ball which has been damaged should be removed and replaced. Observe safety precautions when working beneath a vehicle and wear eye protection. Do not cut access or attachment holes with a torch.

This product complies with safety specifications and requirements for connecting devices and towing systems of the state of New York, V.E.S.C. Regulation V-5 and SAE J684.