

INSTALLATION INSTRUCTIONS CARAVAN / VOYAGER TOWN & COUNTRY VANS

Product No.
33046
75176
SMALL PARTS
PACKAGE F33046

TOWING PRODUCTS

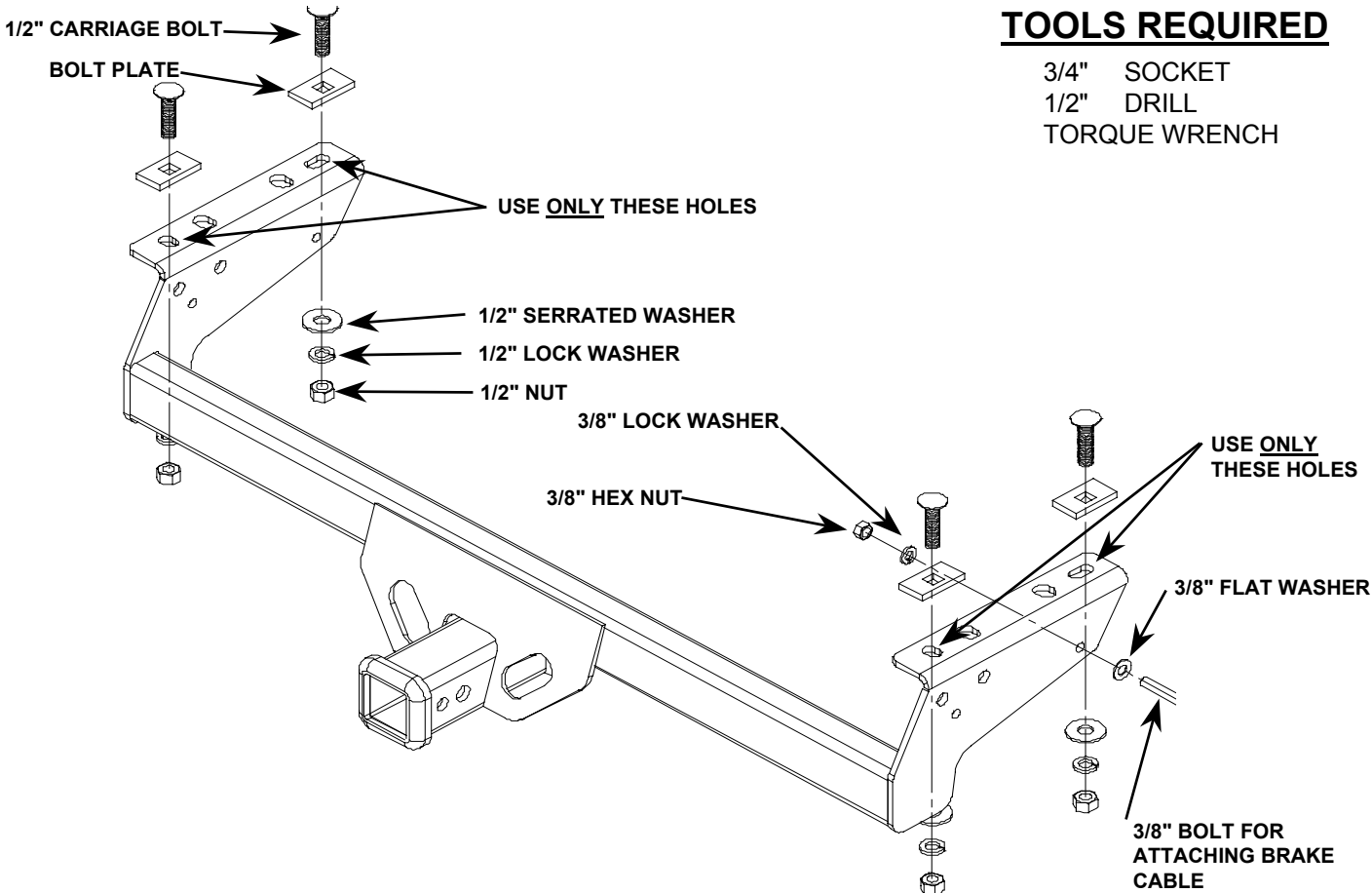
PLYMOUTH, MI

WARNING: DO NOT LUBRICATE THREADS, BOLT FAILURE MAY OCCUR DUE TO OVER TIGHTENING.
WARNING: DO NOT DRILL OR WELD TO THIS HITCH.

IMPORTANT NOTES
USE ONLY TOWING PRODUCTS SUPPLIED OR APPROVED BOLTS, LOCKNUTS, AND WASHERS TO INSTALL THIS HITCH

TOOLS REQUIRED

3/4" SOCKET
1/2" DRILL
TORQUE WRENCH



IMPORTANT: Use only the holes shown. The other holes are not for this application.

NOTE: It may be necessary on some models to bend a small metal flange to install the hitch. This flange is located at the bottom rear end of the frame.

- For 1990-1995 vehicles:** For vehicles with a full size spare tire, lower the spare down out of the way while installing the hitch. Install 1/2" carriage bolts and bolt plates into the large access holes in the bottom of the frame. See the diagram above. Go to step 4.
- For vehicles older than 1989:** The forward mounting hole will need to be drilled. Hold the hitch up to the vehicle with the rear mounting hole centered over the rear access hole. Mark the location of the forward mounting hole. Drill the forward mounting hole to 1/2".

(OVER)

For Installation Assistance or Technical Help, Call 1-574-537-6339



2. Thread a 1/2" carriage bolt onto the pull wire. Place a bolt plate over the pull wire. Pull the bolt and bolt plate in through the rear access hole and out of the front hole that was drilled. Repeat for the other side.
3. Install 1/2" carriage bolts and bolt plates into the rear access holes in the bottom of the frame. Go to step 4.
4. **For all Vehicles:** Remove the bolt that holds the emergency brake cable to the frame. Push the emergency brake cable aside slightly.
5. Place the hitch over the bolts and install 1/2" serrated washers, lock washers and nuts on the bolts.
6. Reattach the brake cable onto the side of the bracket as shown on the diagram on the other side of this page. The hole may need to be drilled out a little to get the bolt into it.
7. Torque all 1/2" nuts to 75 ft•lb.

For Installation Assistance or Technical Help, Call 1-574-537-6339

This product complies with safety specification and requirements for the State of New York and VESC regulation V-5 for connecting devices and towing systems. Weight distributing hitch rating is 3500 lb max gross trailer weight and 400 lb max tongue weight. Weight carrying hitch rating is 3500 lb max gross trailer weight and 350 lb max tongue weight. Consult vehicle owner's manual for towing recommendations and limitations.

LIMITED WARRANTY

Towing Products warrants its Hitches, custom Hitch Receivers, and Sway Controls from date of purchase against defects in material and workmanship under normal use and service, ordinary wear excepted, for the ownership life of the original consumer purchaser. Towing Products will replace FREE OF CHARGE any part which proves defective in material or workmanship when presented to any Towing Products dealer, Towing Products Warehouse, or returned to factory, TRANSPORTATION CHARGES PREPAID, at the address below. THIS WARRANTY IS LIMITED TO DEFECTIVE PARTS REPLACEMENT ONLY. LABOR CHARGES AND/OR DAMAGE INCURRED IN INSTALLATION OR REPLACEMENT AS WELL AS INCIDENTAL AND CONSEQUENTIAL DAMAGES CONNECTED THEREWITH ARE EXCLUDED. Some states do not allow the exclusion or limitation of incidental or consequential damages, so the above limitation or exclusion may not apply to you. Any damage to the Hitch, Custom Hitch receiver or Sway Control as a result of misuse, abuse, neglect, accident, improper installation, or any use violative of instructions furnished by Towing Products, WILL VOID THE WARRANTY.

This warranty gives you specific legal rights, and you may also have other rights which vary from state to state. In the event of a problem with warranty service or performance, you may be able to go to a small claims court, a state court, or a federal district court.

Towing Products
PO Box 8102
47774 Anchor Ct.
Plymouth, MI 48170

Towing Products
2351 Winston Park Drive
Oakville, Ontario
Canada L6H6R7