

REESE

INSTALLATION INSTRUCTIONS

Product No.

BLAZER/JIMMY/BRAVADA

33021

You *can* take it with you.

PLYMOUTH, MI

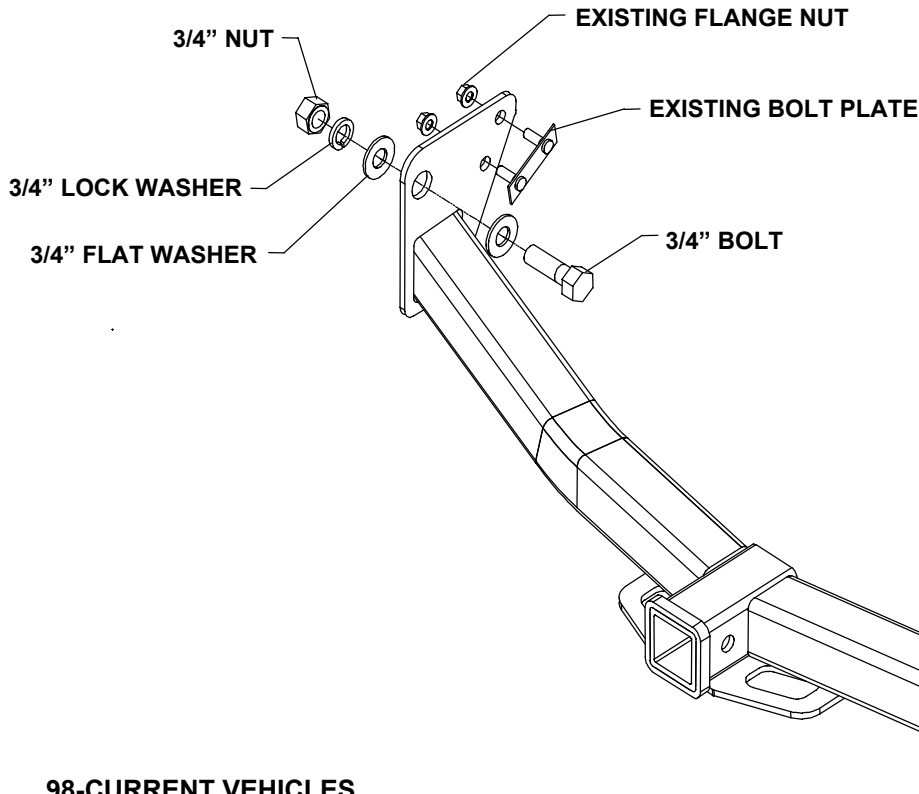
SMALL PARTS
PACKAGE 37336

WARNING: DO NOT LUBRICATE THREADS, BOLT FAILURE MAY OCCUR DUE TO OVER TIGHTENING.

WARNING: DO NOT DRILL OR WELD TO THIS HITCH.

IMPORTANT NOTES

USE ONLY REESE SUPPLIED OR APPROVED BOLTS, LOCKNUTS, AND WASHERS TO INSTALL THIS HITCH



TOOLS REQUIRED

18mm	WRENCH
1 1/8"	WRENCH
18mm	SOCKET
1 1/8"	SOCKET
TORQUE WRENCH	

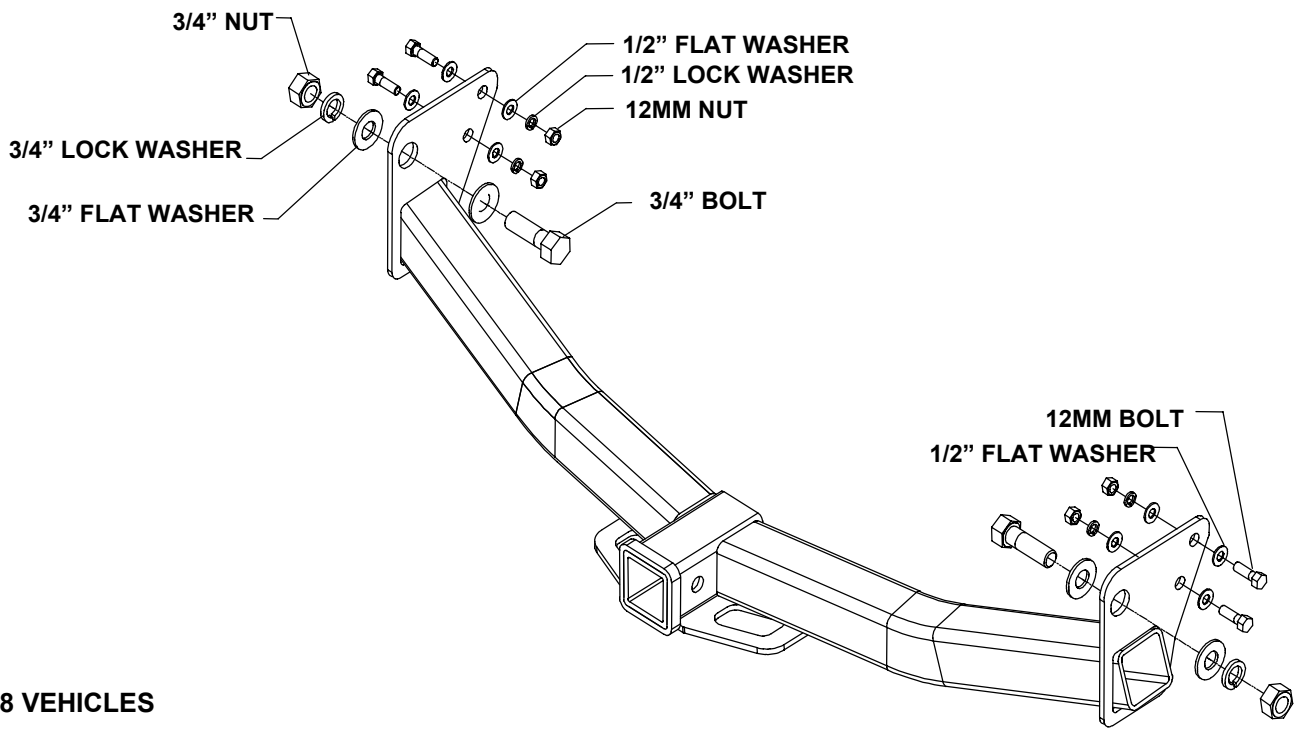
98-CURRENT VEHICLES

1. Spare tire may need to be loosened for hitch installation.
2. Remove the two forward 12mm nuts that hold the bumper bracket to the frame. These are above the leaf springs. Remove the bolts. Repeat for the other side. Do not remove the rear two bolts, the bumper will fall.
3. Lift the receiver up along the outside of the frame and bumper brackets. Insert 3/4" hex head bolts with flat washers through the holes in the side of the frame. See diagram above. Install 3/4" flat washer, 3/4" lock washer, and 3/4" nut.
4. Reinstall the factory bolts and nuts through the frame and receiver brackets. See diagram above.
5. Torque the 12mm nuts to 75 ft*lb.
Torque the 3/4" nuts to 200 ft*lb.

6. Retighten the spare tire

(OVER)

For Installation Assistance or Technical Help, Call 1-574-537-6993



95-98 VEHICLES

NOTE: You may have to loosen the bumper brackets and spread them apart to get the hitch installed if the holes don't line up. There are five bolts per bumper bracket.

1. Spare tire may need to be loosened for hitch installation.
2. Lift the hitch up along the outside of the frame. Insert the 3/4" hex head bolts with flat washers through the side of the frame. Install 3/4" flat washers, lock washers, and nuts on the bolts. SEE DIAGRAM ABOVE.
3. Insert 12mm bolts with flat washers through the remaining holes. Install flat washer, lock washers, and nuts on the bolts. SEE DIAGRAM ABOVE.
4. Tighten the bolts evenly so the hitch remains centered on the vehicle.
5. Torque the 3/4" nuts to 200 ft*lb.
Torque the 12mm nuts to 75 ft*lb.
6. Retighten spare tire and bumper if they were loosened.

For Installation Assistance or Technical Help, Call 1-574-537-6993

THIS PRODUCT COMPLIES WITH SAFETY SPECIFICATION AND REQUIREMENTS FOR THE STATE OF NEW YORK AND VESC REGULATION V-5 FOR CONNECTING DEVICES AND TOWING SYSTEMS. WEIGHT DISTRIBUTING HITCH RATING IS 6000 LB. MAX. GROSS TRAILER WEIGHT AND 600 LB. MAX. TONGUE WEIGHT. WEIGHT CARRYING HITCH RATING IS 4000 LB MAX GROSS TRAILER WEIGHT AND 400 LB MAX TONGUE WEIGHT. CONSULT VEHICLE OWNERS MANUAL FOR TOWING RECOMMENDATIONS AND LIMITATIONS.

LIMITED WARRANTY

Reese warrants its Hitches, custom Hitch Receivers, and Sway Controls from date of purchase against defects in material and workmanship under normal use and service, ordinary wear and excepted, for the ownership life of the original consumer purchaser. Reese will replace FREE OF CHARGE any part which proves defective in material or workmanship when presented to any Reese dealer, Reese Warehouse or return to factory. TRANSPORTATION CHARGES PREPAID, at the address below. THIS WARRANTY IS LIMITED TO DEFECTIVE PARTS REPLACEMENT ONLY. LABOR CHARGES AND/OR DAMAGE INCURRED IN INSTALLATION OR REPLACEMENT AS WELL AS INCIDENTAL AND CONSEQUENTIAL DAMAGES CONNECTED THEREWITH ARE EXCLUDED. Some states do not allow the exclusion or limitation of incidental or consequential damages, so the above limitation or exclusion may not apply to you. Any damage to the Hitch, Custom Hitch receiver or Sway Control as a result of misuse, abuse, neglect, accident, improper installation, or any use violative of instructions furnished by us, WILL VOID THE WARRANTY. This warranty gives you specific legal rights, and you may also have other rights which vary from state to state. In the event of a problem Reese warrants its Hitches, Custom Hitch Receivers and Sway Controls from date of purchase against defects in material and workmanship under normal use and service, ordinary wear and tear excepted, for the ownership life of the original consumer purchaser. with warranty service or performance, you may be able to go to a small claims court, a state court, or a federal district court.

Towing Products
PO Box 8102
47774 Anchor Ct.
Plymouth, MI 48170

Towing Products
475 Wycroft Road
Oakville, Ontario
Canada L6K2H2