



INSTALLATION INSTRUCTIONS

JEEP GRAND CHEROKEE

Product No.

33018

You *can* take it with you.

PLYMOUTH, MI

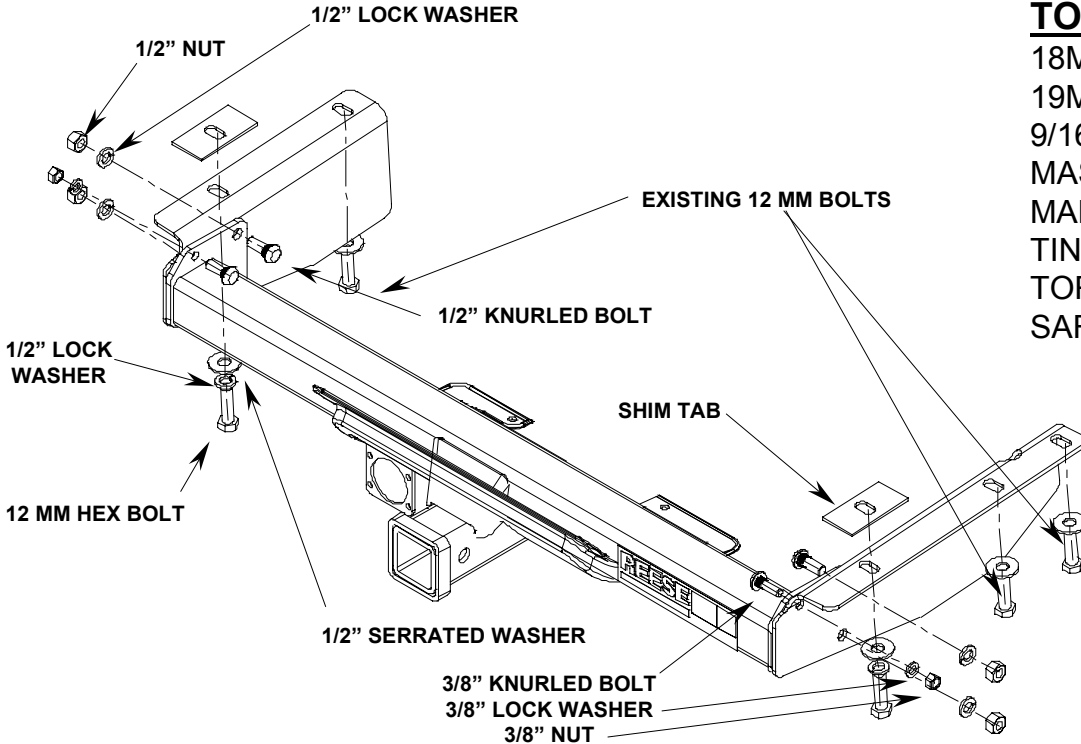
SMALL PARTS
PACKAGE 37634

WARNING: DO NOT LUBRICATE THREADS, BOLT FAILURE MAY OCCUR DUE TO OVER TIGHTENING.
WARNING: DO NOT DRILL OR WELD TO THIS HITCH.

IMPORTANT NOTES
USE ONLY REESE SUPPLIED OR APPROVED BOLTS, LOCKNUTS, AND WASHERS TO INSTALL THIS HITCH

TOOLS REQUIRED

18MM	SOCKET
19MM	SOCKET
9/16"	SOCKET
MASKING TAPE	
MARKING PENCIL	
TIN SNIPS	
TORQUE WRENCH	
SAFETY GLASSES	



1. A piece of plastic will have to be cut out of the bumper cover to install this hitch. Use the template provided to mark the piece to be removed. A plastic trim piece is provided to cover the cutout.
2. Go to the paper template and follow those instructions.
3. Remove the two remaining plastic rivets in the bottom of the plastic bumper cover. Save the rivets.
4. Remove from the both sides of the gas tank shield, the two rear bolts in the bottom of the frame. Remove bolts in fuel tank reinforcing bar, if present. (Early models have no reinforcing bars.)
5. Pull the plastic down and put the hitch brackets up against the frame with the large round holes in the brackets going over the remaining bolt heads in the frame. Reinstall the 12 mm bolts that were removed. Install the shim tab between the frame and bracket flange. Then install the 12 mm bolts with the 1/2" lock washers, and 1/2" serrated washers into the rear holes.(Some newer vehicles have a reinforcing bar at the rear between the frame and gas tank.) Use the end of the reinforcing bar instead of the shim tab to space between the frame and the hitch brackets. Leave the bolts loose.
6. Lift the center section up between the brackets and install the (4) 1/2" knurled bolts from the inside with the 1/2" lock washers and 1/2" nuts and (2) 3/8" knurled bolts in top rearmost holes with 3/8" lock washer and 3/8" nut. Tighten until the bolt heads seat against the brackets. Now tighten the bolts in the frame.

(OVER)

For Installation Assistance or Technical Help, Call 1-574-537-6993
or check our web site www.reeseprod.com

6. Torque the 12mm bolts to 75 ft*lb*.
Torque the 1/2" nuts to 75 ft*lb*.
Torque the 3/8" nuts to 35 ft*lb*.
7. Check the fit of the plastic trim piece. Be sure the holes in the trim piece align with the holes in the bumper. Trim a little more if needed.
8. **The plastic bumper must be clean before attaching the trim piece. Avoid applying the trim piece at temperatures below 65 deg. The adhesive strips won't work well. Using the supplied cleaner, clean the area of the bumper cover where the trim piece will make contact.**
9. Loosely reattach the center two rivets through the trim piece and the bumper cover. Pull the top of the trim piece toward you and remove the tape from the adhesive strips. Push the trim piece firmly against the bumper.
10. Reinstall any remaining rivets in the bottom of the bumper.



Remove these two plastic rivets to apply the cutting template.

For Installation Assistance or Technical Help, Call 1-574-537-6993
or check our web site www.reeseprod.com

THIS PRODUCT COMPLIES WITH SAFETY SPECIFICATION AND REQUIREMENTS FOR THE STATE OF NEW YORK AND VESC REGULATION V-5 FOR CONNECTING DEVICES AND TOWING SYSTEMS. WEIGHT DISTRIBUTING HITCH RATING IS 7500 LB. MAX. GROSS TRAILER WEIGHT AND 750 LB. MAX. TONGUE WEIGHT. WEIGHT CARRYING HITCH RATING IS 5000 LB MAX GROSS TRAILER WEIGHT AND 500 LB MAX TONGUE WEIGHT. CONSULT VEHICLE OWNERS MANUAL FOR TOWING RECOMMENDATIONS AND LIMITATIONS.

LIMITED WARRANTY

Reese warrants its Hitches, custom Hitch Receivers, and Sway Controls from date of purchase against defects in material and workmanship under normal use and service, ordinary wear and excepted, for the ownership life of the original consumer purchaser. Reese will replace FREE OF CHARGE any part which proves defective in material or workmanship when presented to any Reese dealer, Reese Warehouse or return to factory. TRANSPORTATION CHARGES PREPAID, at the address below. THIS WARRANTY IS LIMITED TO DEFECTIVE PARTS REPLACEMENT ONLY. LABOR CHARGES AND/OR DAMAGE INCURRED IN INSTALLATION OR REPLACEMENT AS WELL AS INCIDENTAL AND CONSEQUENTIAL DAMAGES CONNECTED THEREWITH ARE EXCLUDED. Some states do not allow the exclusion or limitation of incidental or consequential damages, so the above limitation or exclusion may not apply to you. Any damage to the Hitch, Custom Hitch receiver or Sway Control as a result of misuse, abuse, neglect, accident, improper installation, or any use violative of instructions furnished by us, WILL VOID THE WARRANTY. This warranty gives you specific legal rights, and you may also have other rights which vary from state to state. In the event of a problem Reese warrants its Hitches, Custom Hitch Receivers and Sway Controls from date of purchase against defects in material and workmanship under normal use and service, ordinary wear and tear excepted, for the ownership life of the original consumer purchaser. with warranty service or performance, you may be able to go to a small claims court, a state court, or a federal district court.

Towing Products
PO Box 8102
47774 Anchor Ct.
Plymouth, MI 48170

Towing Products
2351 Winston Park Drive
Oakville, Ontario
Canada L6H6R7