



13068 INSTALLATION INSTRUCTIONS



Safety glasses should be worn at all times while installing this product.

YEARS: 1999-PRESENT

MAKE: HONDA

MODEL: ODYSSEY

STYLE: VAN

WARNING: NEVER EXCEED YOUR VEHICLE MANUFACTURER'S RECOMMENDED TOWING CAPACITY

WEIGHT CARRYING:
TRAILER WEIGHT: 3,500 LBS.
TONGUE WEIGHT: 350 LBS.

WEIGHT DISTRIBUTION:
TRAILER WEIGHT: 5,000 LBS.
TONGUE WEIGHT: 500 LBS.

INSTALLATION TIME: 20 MIN.

THE INSTALL TIME LISTED IS FOR PROFESSIONAL INSTALLERS. IF YOU ARE HESITANT TO UNDERTAKE THIS TASK ON YOUR OWN, CONTACT AN AUTHORIZED CURT INSTALLER FOR ADDITIONAL ASSISTANCE.

INSTALLATION TIPS:




1. BEFORE YOU BEGIN INSTALLATION, READ ALL INSTRUCTIONS THOROUGHLY.
2. TO EASE INSTALLATION, 2 PEOPLE MAY BE REQUIRED.
3. USING PROPER TOOLS WILL GREATLY IMPROVE THE QUALITY OF THE INSTALL AND REDUCE THE TIME REQUIRED.
4. NEED HELP OR HAVE SOME QUESTIONS? CALL TECHNICAL SUPPORT AT 800.798.0813

VEHICLE PHOTO:


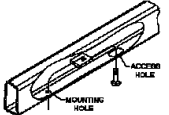
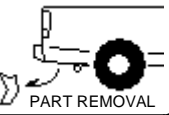


REPRESENTATIVE PHOTO

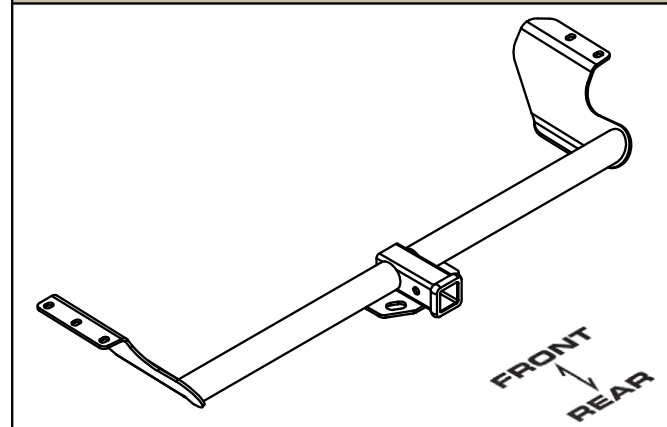
INSTALLATION REQUIRES:

 RATCHET	 TORQUE WRENCH	 9" SOCKET EXTENSION
 11/16" 19mm 10mm SOCKET	 SCREW DRIVER	

LEVEL OF DIFFICULTY: EASY

EASY	MODERATE	HARD
	- NO DRILLING REQUIRED	
	- FISHWIRE HARDWARE	
	- DRIVER SIDE COVER REMOVAL IF PRESENT	

HITCH ILLUSTRATION:



MAKE SURE YOUR HITCH MATCHES

PERIODICALLY CHECK THIS RECEIVER HITCH TO ENSURE ALL FASTENERS ARE TIGHT AND ALL STRUCTURAL COMPONENTS ARE SOUND

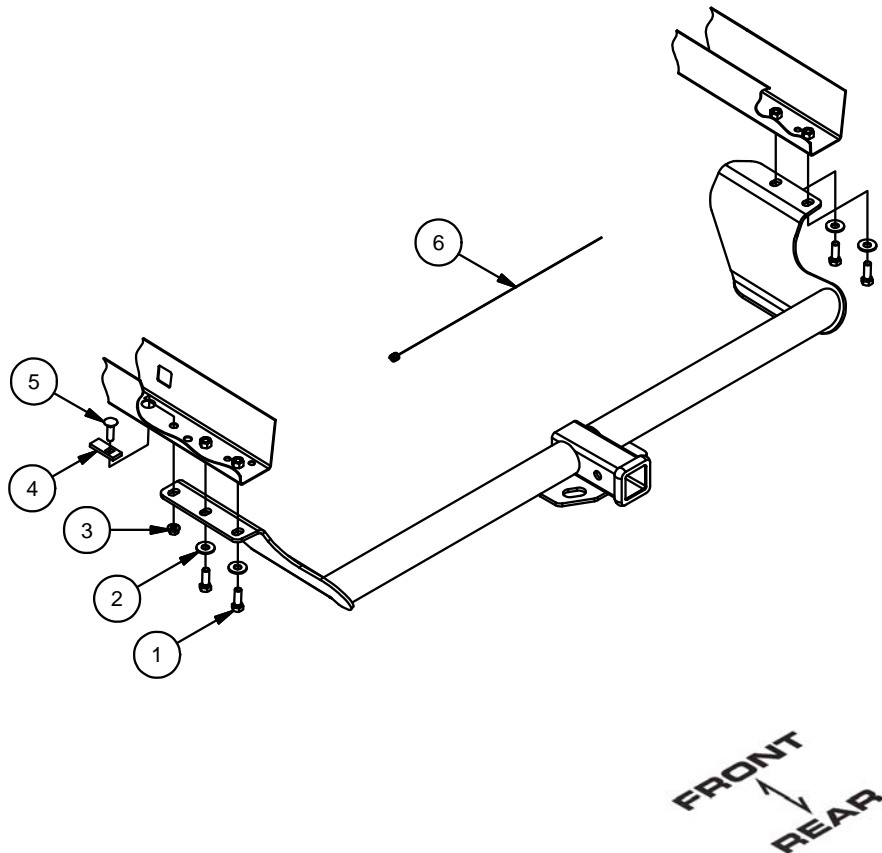
CURT Manufacturing Inc. warrants this product to be free of defects in material and/or workmanship at the time of retail purchase by the original purchaser. If the product is found to be defective, Curt Manufacturing Inc. may repair or replace the product at their option, when the product is returned, prepaid, with proof of purchase. Alteration to, misuse of, or improper installation of this product voids the warranty. Curt Manufacturing Inc.'s liability is limited to repair or replacement of products found to be defective, and specifically excludes liability for incidental or consequential loss or damage.

For more information log onto www.curtmfg.com, & for helpful towing tips log onto www.hitchinfo.com

10/08/2010

INSTALLATION WALKTHROUGH:

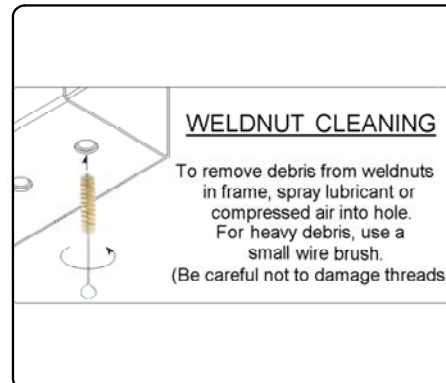
Parts List			
ITEM	QTY	PART NUMBER	DESCRIPTION
1	4	M12-1.25 x 35mm	HEX BOLT
2	4	1/2"	CONICAL TOOTHED WASHER
3	1	7/16-14	HEX FLANGE NUT
4	1	CM-SP2	.250 x .88 x 2.25" SQUARE HOLE SPACER
5	1	7/16-14 x 1 1/2	CARRIAGE BOLT
6	1	7_16 FISHWIRE	7/16" FISHWIRE



1. If present, remove (5) fasteners and the plastic fascia covering the driver side frame rail. Return fasteners and plastic fascia to owner.



2. Locate (2) weldnuts near the end of each frame rail. Clean weldnuts of debris and rust to ease hitch installation.

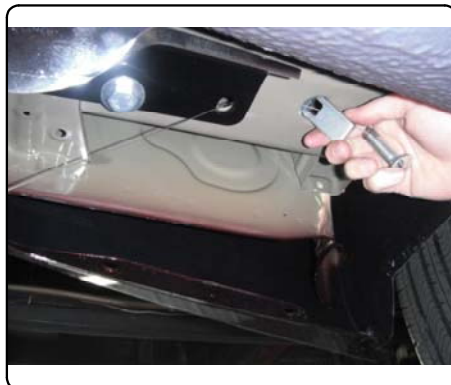
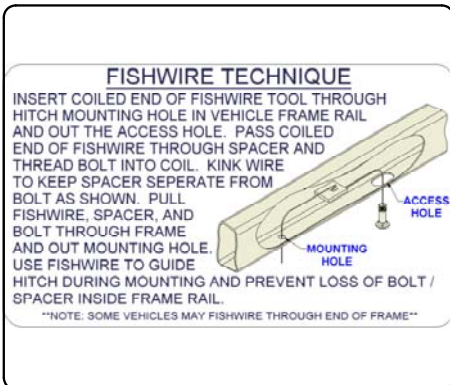


INSTALLATION WALKTHROUGH:

3. Raise hitch into position by sliding the passenger side plate over the exhaust first. Secure the hitch into position using M12-1.25 x 35mm bolts and 1/2" conical toothed washers.



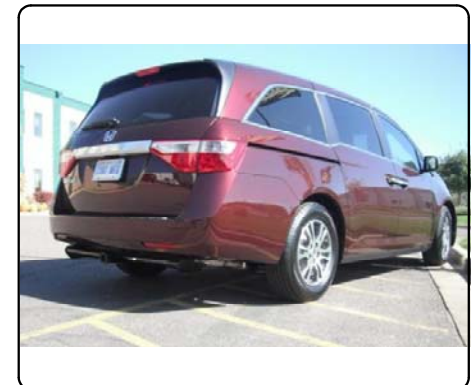
4. On the driver side frame rail fishwire a 7/16-14 x 1 1/2" carriage bolt and CM-SP2 spacer through the access hole and into the existing hole in the bottom of the frame rail. Secure with 7/16" flange nut.



5. Torque all 12mm hardware to 72 ft-lbs. Torque all 7/16" hardware to 50 ft-lbs.



Install is complete



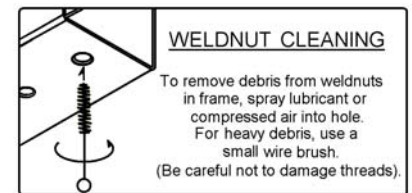
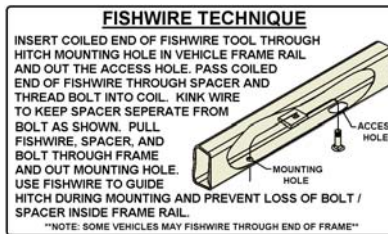
13068**HONDA ODYSSEY****12/03/2010**

GROSS LOAD CAPACITY WHEN USED AS A WEIGHT CARRYING HITCH: 3,500 LBS. TRAILER WEIGHT & 350 LBS. TONGUE WEIGHT.
 GROSS LOAD CAPACITY WHEN USED AS A WEIGHT DISTRIBUTION HITCH: 5,000 LBS. TRAILER WEIGHT & 500 LBS. TONGUE WEIGHT

*****DO NOT EXCEED VEHICLE MANUFACTURER'S RECOMMENDED TOWING CAPACITY.*****

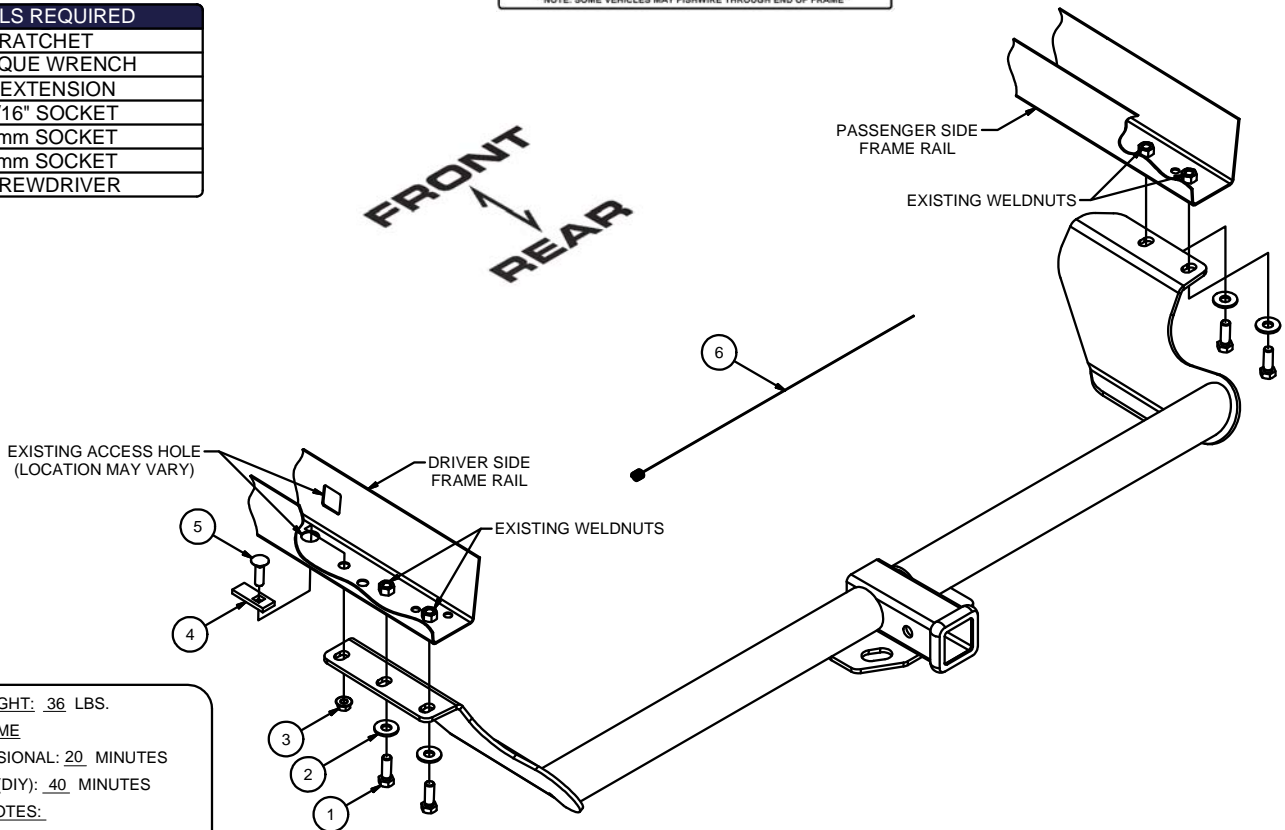
HAVING INSTALLATION QUESTIONS? CALL TECHNICAL SUPPORT AT 1-800-798-0813

Parts List			
ITEM	QTY	PART NUMBER	DESCRIPTION
1	4	M12-1.25 x 35mm	HEX BOLT
2	4	1/2"	CONICAL TOOTHED WASHER
3	1	7/16-14	HEX FLANGE NUT
4	1	CM-SP2	.250 x .88 x 2.25" SQUARE HOLE SPACER
5	1	7/16-14 x 1 1/2	CARRIAGE BOLT
6	1	7_16 FISHWIRE	7/16" FISHWIRE



TOOLS REQUIRED

RATCHET
TORQUE WRENCH
9" EXTENSION
11/16" SOCKET
19mm SOCKET
10mm SOCKET
SCREWDRIVER



HITCH WEIGHT: 36 LBS.

INSTALL TIME

PROFESSIONAL: 20 MINUTES

NOVICE (DIY): 40 MINUTES

INSTALL NOTES:

- NO DRILLING REQUIRED
- FISHWIRE HARDWARE

INSTALLATION STEPS

1. If present, remove (5) fasteners and the plastic fascia covering the driver side frame rail. Return fasteners and plastic shield to owner. **Note:** You may trim fascia and re-attach after hitch installation.
2. Locate (2) weldnuts near the end of each frame rail. Clean weldnuts of debris and rust to ease hitch installation. (See weldnut cleaning)
3. Raise hitch into position by sliding the passenger side plate over the exhaust first. Secure the hitch into position using M12-1.25 x 35mm bolts and 1/2" conical toothed washers.
4. On the driver side frame rail fishwire a 7/16-14 x 1 1/2" carriage bolt and CM-SP2 spacer through the access hole and into the existing hole in the bottom of the frame rail. Secure with 7/16" flange nut. (See fishwire technique)
5. Torque all 12mm hardware to 72 ft-lbs.
Torque all 7/16" hardware to 50 ft-lbs.

PERIODICALLY CHECK THIS RECEIVER HITCH TO ENSURE THAT ALL FASTENERS ARE TIGHT AND THAT ALL STRUCTURAL COMPONENTS ARE SOUND.

Curt Manufacturing Inc., warrants this product to be free of defects in material and/or workmanship at the time of retail purchase by the original purchaser. If the product is found to be defective, Curt Manufacturing Inc., may repair or replace the product, at their option, when the product is returned, prepaid, with proof of purchase. Alteration to, misuse of, or improper installation of this product voids the warranty. Curt Manufacturing Inc.'s liability is limited to repair or replacement of products found to be defective, and specifically excludes liability for incidental or consequential loss or damage.