

Installation Instructions

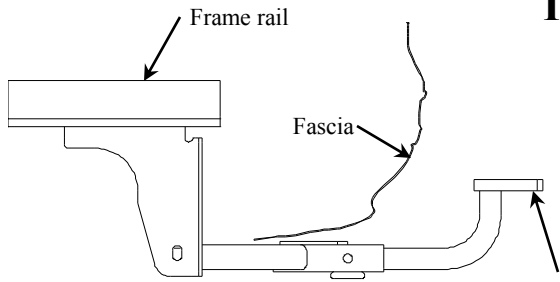
Ford Fusion

Part Numbers:

24897

60322

77285



Drawbar Kit:
3594

Drawbar must be used in the **RISE** position only.

**Do Not Exceed Lower of Towing Vehicle
Manufacturer's Rating or**

2000 LB (908 Kg) Max Gross Trailer Weight

200 LB (90.8 Kg) Max Tongue Weight

Hitch Shown In Proper Position

Equipment Required:

Fastener Kit: 24897F

Wrenches: 7mm, 10mm, 11/16", & Phillips head screwdriver



A. Insert bolt and Block into frame B. Align block on access hole C. Pull bolt thru block

Figure 3

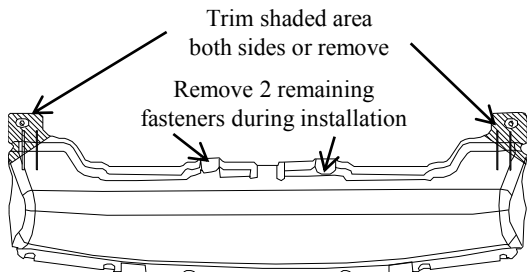


Figure 4

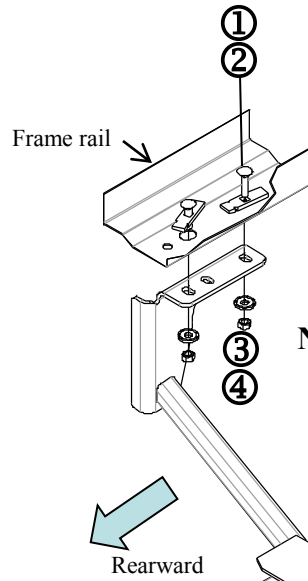
Appearance panel

Wiring Access

Location: PC 1 & 2

Accessory Rating

B



Note: Fasteners typical both sides

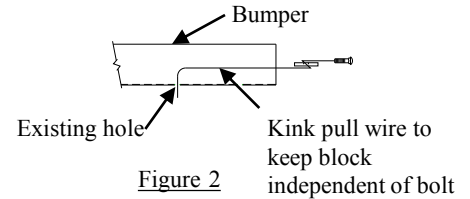


Figure 2

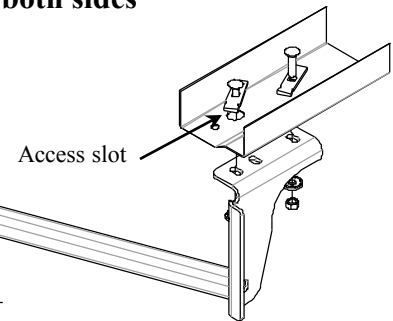


Figure 1

①	Qty. (4)	Carriage bolt 7/16-14 X 1.50 Gr5	④	Qty. (4)	Hex nut 7/16-14
②	Qty. (4)	Spacer	⑤	Qty. (4)	Pull wire 7/16
③	Qty. (4)	Conical washer 7/16"			

- Appearance panel will need to be trimmed or remove in order to install hitch. Obtain owners permission before trimming. See Figure 4. Trim shaded area and reinstall appearance panel or return to owner with fasteners. Leave remaining fasteners off until hitch is install.
- Use pull wires to feed the carriage bolts and blocks into frame rails though access holes as shown in Figure 2. Feed pull wire through forward hole and out rearward access slot. Attach spacer and carriage bolt and feed though access slot using kink wire process as shown in Figure 2 both sides. Leave pull wires attached.
- Install remaining fasteners as shown in Figure 3. Leave pull wire attached.
- Raise hitch into position feeding pull wire through forward and rearward slots in brackets. Middle slot will located appearance panel stud in frame.
- Carefully remove pull wires and attach conical and hex nut. Finger tighten and center hitch on vehicle.
- Tighten all fasteners to the required torque specification.
- If trimmed reinstall (2) fasteners to the appearance panel.

Tighten all 7/16-14 GR5 fasteners with torque wrench to 55 Lb.-Ft. (75 N*M)

Note: check hitch frequently, making sure all fasteners and ball are properly tightened. If hitch is removed, plug all holes in trunk pan or other body panels to prevent entry of water and exhaust fumes. A hitch or ball which has been damaged should be removed and replaced. Observe safety precautions when working beneath a vehicle and wear eye protection. Do not cut access or attachment holes with a torch.

This product complies with safety specifications and requirements for connecting devices and towing systems of the state of New York, V.E.S.C. Regulation V-5 and SAE J684.