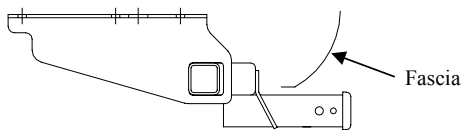


Installation Instructions

Jeep Liberty

Part Numbers:
51054



**Do Not Exceed Lower of Towing Vehicle
Manufacturer's Rating or**

Hitch type	Max Gross Trailer WT (LB)	Max Tongue WT (LB)
Weight Distributing	7500 (3405 Kg)	750 (341 Kg)
Weight Carrying Ball Mount	5000 (2270 Kg)	500 (227 Kg)

Hitch Shown In Proper Position

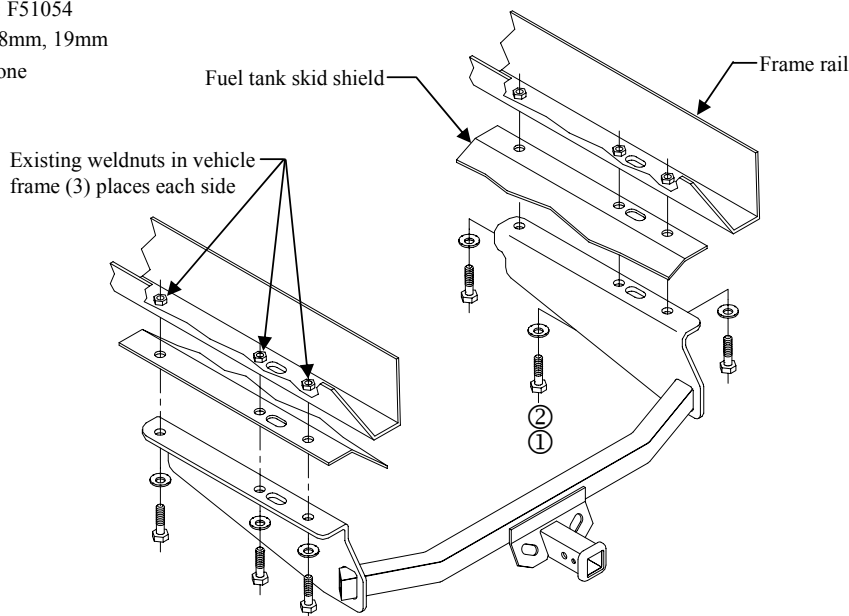
Equipment Required:

Fastener Kit: F51054

Wrenches: 18mm, 19mm

Drill Bits: None

Wiring Access Location: SUV1, SUV2



Note: Fasteners typical both sides

①	Qty. (6)	Hex Bolt M12 X 1.75 X 40	②	Qty. (6)	Conical Washer 1/2
---	----------	--------------------------	---	----------	--------------------

1. If vehicle is equipped with a fuel tank skid shield, remove six (6) M12 fasteners holding skid shield to vehicle frame rails and discard bolts.
2. Raise hitch into position and install fasteners as shown above. Fuel tank skid shield will be sandwiched between hitch and vehicle frame rails.

Tighten all M12 CL8.8 fasteners with torque wrench to 68 Lb.-Ft. (92 N*M)

Note: check hitch frequently, making sure all fasteners and ball are properly tightened. If hitch is removed, plug all holes in trunk pan or other body panels to prevent entry of water and exhaust fumes. A hitch or ball which has been damaged should be removed and replaced. Observe safety precautions when working beneath a vehicle and wear eye protection. Do not cut access or attachment holes with a torch.

This product complies with safety specifications and requirements for connecting devices and towing systems of the state of New York, V.E.S.C. Regulation V-5 and SAE J684.