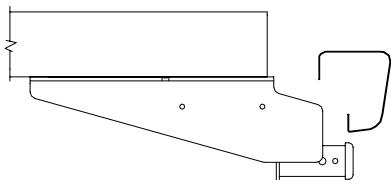


# Installation Instructions

## Chevrolet Astro Van GMC Safari Van -Extended Body

Part Numbers:  
**51029**



**Do Not Exceed Lower of Towing Vehicle  
Manufacturer's Rating or**

Hitch type	Max Gross Trailer WT (LB)	Max Tongue WT (LB)
Weight Distributing	<b>6000 (2724 Kg)</b>	<b>600 (272 Kg)</b>
Weight Carrying Ball Mount	<b>3500 (1589 Kg)</b>	<b>300 (136 Kg)</b>

### Hitch Shown In Proper Position

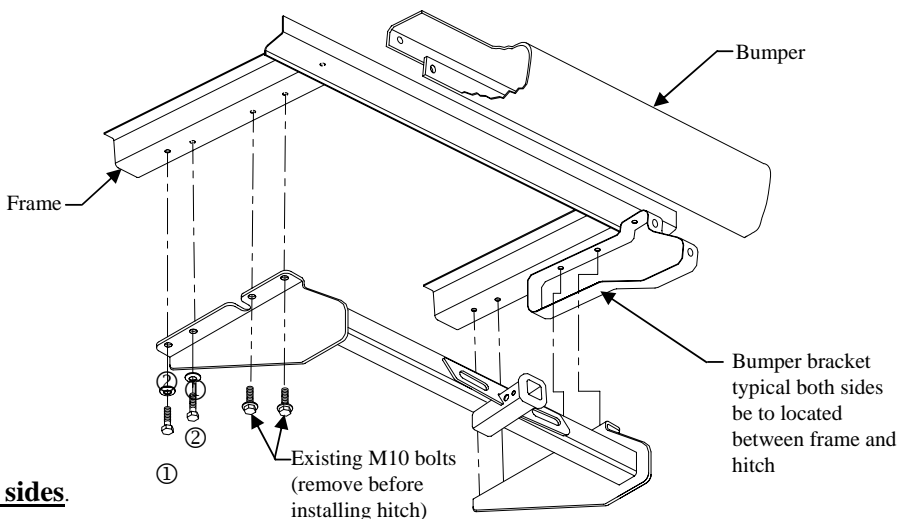
#### Equipment Required:

**Fastener Kit:** F51029

**Wrenches:** 15mm, 17mm

**Drill Bits:** None

**Wiring Access Location:** SUV4



Bumper bracket not shown for clarity

### Fasteners typical both sides.

①	Qty. (4)	Hex Bolt M10 X 1.5 X 35	②	Qty. (4)	Washer Conical 7/16
---	----------	-------------------------	---	----------	---------------------

1. Remove (2) bolts per side, attaching bumper bracket to frame.  
Note: The bumper and bracket will remain rigidly attached to the vehicle when these bolts are removed.
2. Lift the receiver into position, centering slots in side bracket over weldnuts in frame.
3. Install the M10 bolts in Step 1.
4. Install M10 hex bolts and conical washers (provided) through slots in side bracket into weldnuts in frame as shown.

Tighten all M10 fasteners with torque wrench to 42 Lb.-Ft. (57 N\*M)

Note: check hitch frequently, making sure all fasteners and ball are properly tightened. If hitch is removed, plug all holes in trunk pan or other body panels to prevent entry of water and exhaust fumes. A hitch or ball which has been damaged should be removed and replaced. Observe safety precautions when working beneath a vehicle and wear eye protection. Do not cut access or attachment holes with a torch.

This product complies with safety specifications and requirements for connecting devices and towing systems of the state of New York, V.E.S.C. Regulation V-5 and SAE J684.