

# REESE

You *can* take it with you.

## INSTALLATION INSTRUCTIONS GMC & CHEVROLET PICK-UP

ELKHART, IN., OAKVILLE, ONT.

Product No.

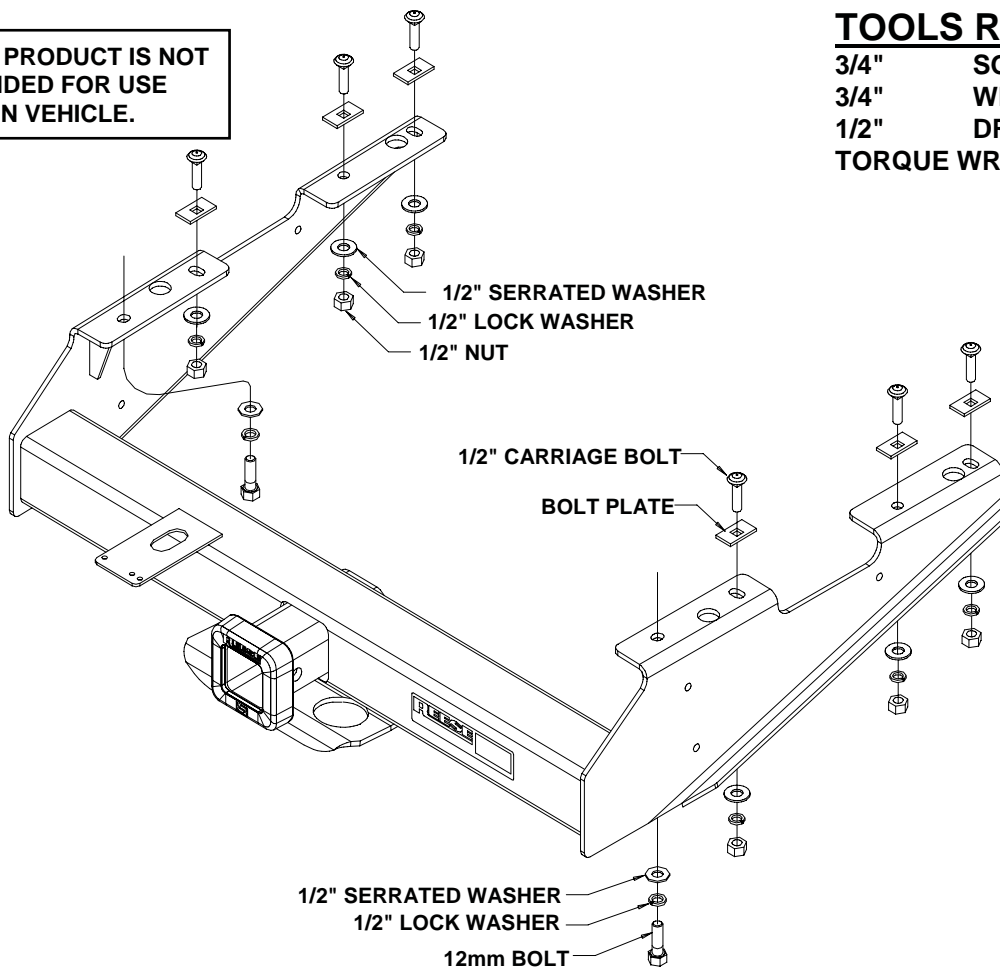
### 45006

SMALL PARTS  
PACKAGE 45135

**WARNING:** DO NOT LUBRICATE THREADS, BOLT FAILURE MAY OCCUR DUE TO OVER TIGHTENING.  
**WARNING:** DO NOT DRILL OR WELD TO THIS HITCH.

**IMPORTANT NOTES**  
USE ONLY REESE SUPPLIED OR APPROVED BOLTS, LOCKNUTS, AND WASHERS TO INSTALL THIS HITCH

**NOTE: THIS PRODUCT IS NOT RECOMMENDED FOR USE ON A 1/2 TON VEHICLE.**



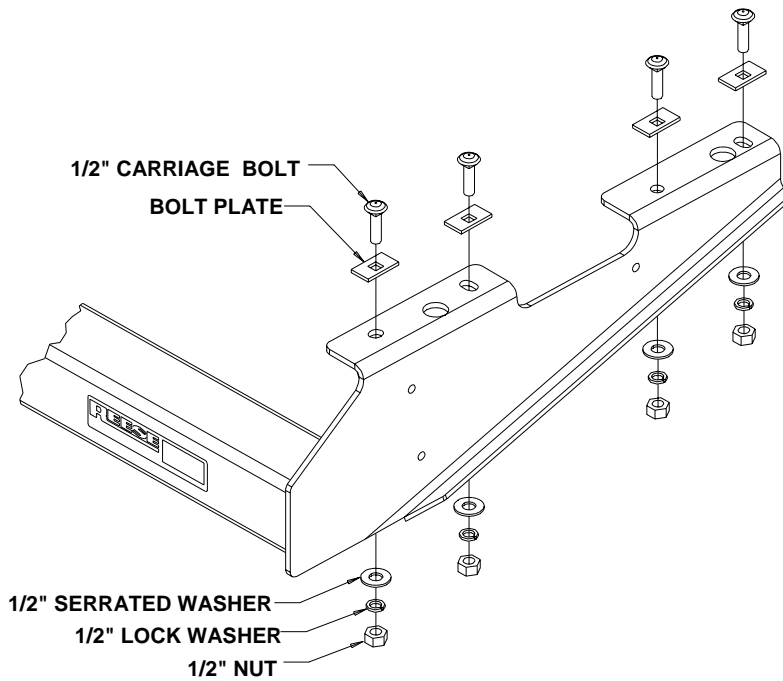
### TOOLS REQUIRED

3/4" SOCKET  
3/4" WRENCH  
1/2" DRILL  
TORQUE WRENCH

1. Remove the 12mm bolt from the bottom side of the end of the frame. Discard the bolt.
  2. Place the hitch up to the frame. Install the provided 12mm bolt with serrated washers and lock washer into the hole at the end of the frame. See diagram above. Repeat for the other side.
- NOTE:** If your truck did not have a 12mm bolt at the end of the frame, install a 1/2" carriage bolt with bolt plate down through the frame and into the end hole in the bracket. See diagram on other side of page.

(OVER)

For Installation Assistance or Technical Help, Call 1-800-758-0869



3. Insert 1/2" carriage bolt with bolt plates into the remaining holes. Install 1/2' serrated washers, lock washers, and nuts on the bolts. See either diagram.

**NOTE:** Some models will require that the front mounting hole be drilled into the frame.

4. Torque all 1/2" nuts to 75 ft.\*lb.  
Torque all 12mm bolts to 65 ft.\*lb.

**NOTE:** On short beds and extended cab models, the spare tire may need to be relocated.

**NOTE:** To use the adapter bushing with some 2" weight distributing bars, it will be necessary to sand the corners of the bar to get it into the bushing.

**For Installation Assistance or Technical Help, Call 1-800-758-0869**

THIS PRODUCT COMPLIES WITH SAFETY SPECIFICATION AND REQUIREMENTS FOR THE STATE OF NEW YORK AND VESC REGULATION V-5 FOR CONNECTING DEVICES AND TOWING SYSTEMS. WEIGHT DISTRIBUTING HITCH RATING IS 14000 LB. MAX. GROSS TRAILER WEIGHT AND 1700 LB. MAX. TONGUE WEIGHT. WEIGHT CARRYING HITCH RATING IS 12000 LB MAX GROSS TRAILER WEIGHT AND 1200 LB MAX TONGUE WEIGHT. CONSULT VEHICLE OWNERS MANUAL FOR TOWING RECOMMENDATIONS AND LIMITATIONS.

## LIMITED WARRANTY

Reese warrants its Hitches, custom Hitch Receivers, and Sway Controls from date of purchase against defects in material and workmanship under normal use and service, ordinary wear and excepted, for the ownership life of the original consumer purchaser. Reese will replace FREE OF CHARGE any part which proves defective in material or workmanship when presented to any Reese dealer, Reese Warehouse or return to factory. TRANSPORTATION CHARGES PREPAID, at the address below. THIS WARRANTY IS LIMITED TO DEFECTIVE PARTS REPLACEMENT ONLY. LABOR CHARGES AND/OR DAMAGE INCURRED IN INSTALLATION OR REPLACEMENT AS WELL AS INCIDENTAL AND CONSEQUENTIAL DAMAGES CONNECTED THEREWITH ARE EXCLUDED. Some states do not allow the exclusion or limitation of incidental or consequential damages, so the above limitation or exclusion may not apply to you. Any damage to the Hitch, Custom Hitch receiver or Sway Control as a result of misuse, abuse, neglect, accident, improper installation, or any use violative of instructions furnished by us, WILL VOID THE WARRANTY. This warranty gives you specific legal rights, and you may also have other rights which vary from state to state. In the event of a problem Reese warrants its Hitches, Custom Hitch Receivers and Sway Controls from date of purchase against defects in material and workmanship under normal use and service, ordinary wear and tear excepted, for the ownership life of the original consumer purchaser. with warranty service or performance, you may be able to go to a small claims court, a state court, or a federal district court.

Reese Products, Inc.  
51671 State Road 19-N  
Elkhart, IN 46514

Reese Products of Canada, Ltd.  
475 Wycroft Road  
Oakville, Ontario  
Canada L6K2H2