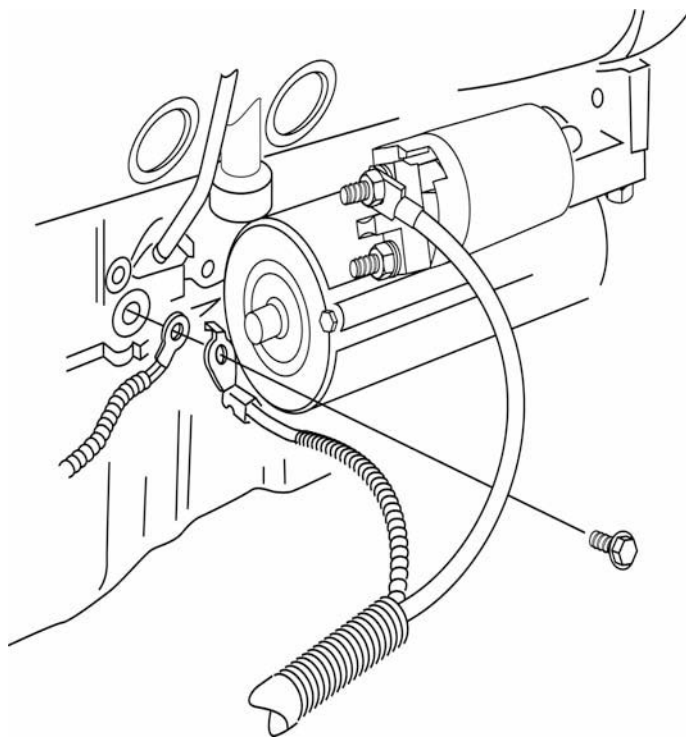


NO CRANK, NO START

**2004 Buick Le Sabre, Park Avenue/Ultra
2004 Pontiac Bonneville
With 3.8L (Engine Vins 1, K)**

Condition: Intermittent no crank or no start.

Cause: Ground location on engine block may not be drilled or taped deep enough, preventing the bolt from achieving a proper ground connection. General Motors recommends using a shorter bolt to properly ground the harness connection. An additional option would be to place a flat or toothed washer between the bolt head and the negative battery cable. Final result is that the



ground cable must be firmly clamped against the engine block.