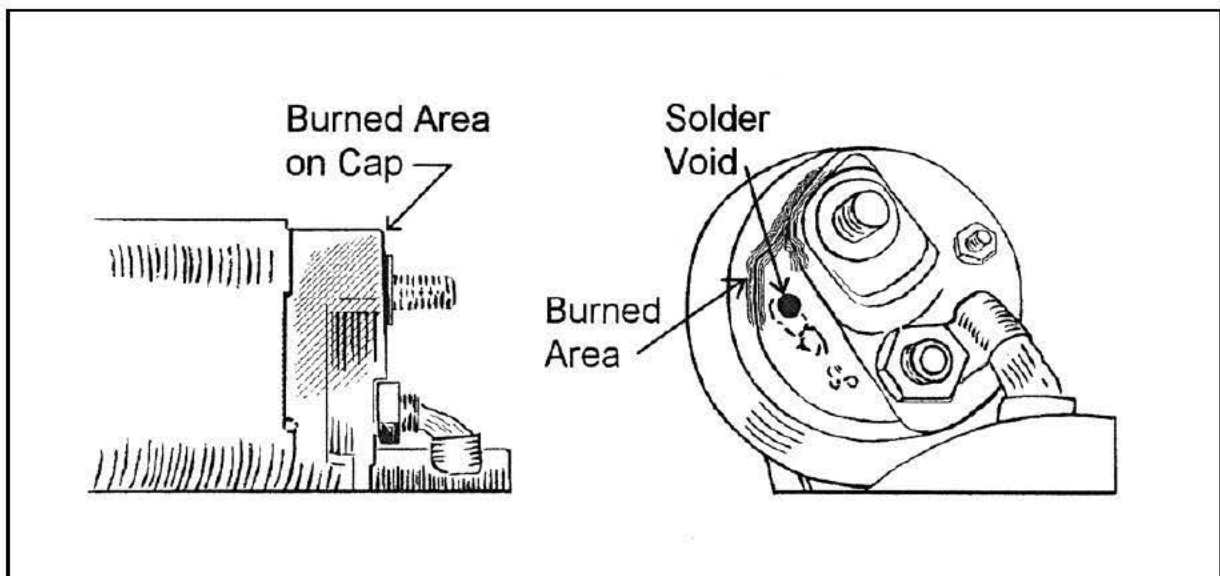


Read This!

Inspect the old starter solenoid for damage as illustrated below. This type of appearance indicates that internal solenoid damage has occurred due to vehicle problems.



The burned area and melted solder are caused by a defective turbocharger flange gasket. Replace the gasket per OEM recommendations and procedures to prevent reoccurring starter failure.

Shields installed on solenoids assist in diverting heat away - improving starter performance - however repairs to flange gaskets still must be performed.

These units are interchangeable

Although the unit you purchased may not look exactly like the one removed from the vehicle, it will install and operate with no modifications necessary.

