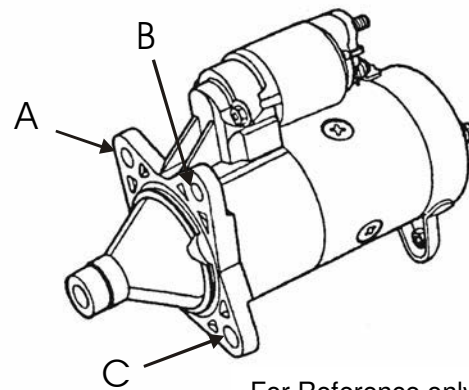


To insure the maximum performance and life of your starter follow these installation steps

1. **CLEAN** all debris from the nose cone pilot hole (located inside the bell housing), and the mounting surface area.
2. **POSITION** the starter in the bell housing and line up the mounting holes.
3. **Align** the starter firmly against the mounting surface and hold in place.
4. **INSTALL** the bolt or nut for mounting hole B. **"FINGER TIGHT" ONLY.**
5. **INSTALL** bolts for mounting holes A and C. **"FINGER TIGHT" ONLY.**
6. **Review step 3 - Failure to properly align against the mounting surface may result in breaking the bell housing during step 7**
7. **TIGHTEN** bolts evenly in a staggered pattern. Tighten mounting hole B first, then A, and then C.



For Reference only

NOTICE – For 2 bolt configurations disregard step 4 and reference to hole B.

Turbo charged vehicles require the use of a heat shield to protect starter solenoid from damage by exhaust system heat.