

NOTES

1

SH

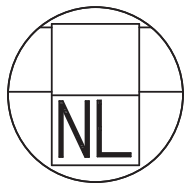
If "SH" displays, check connections and retest. If there is no change, the module has failed.

2

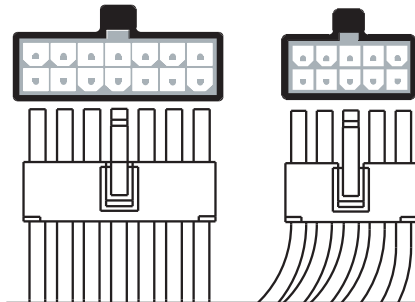
3

FOR ASSISTANCE CALL:
WELLS MANUFACTURING, L.P.
1-800-558-9770
FOR CUSTOMER SERVICE

STEP 1: FIND CORRECT LEAD WIRE



STEP 3: CONNECT TO TESTER

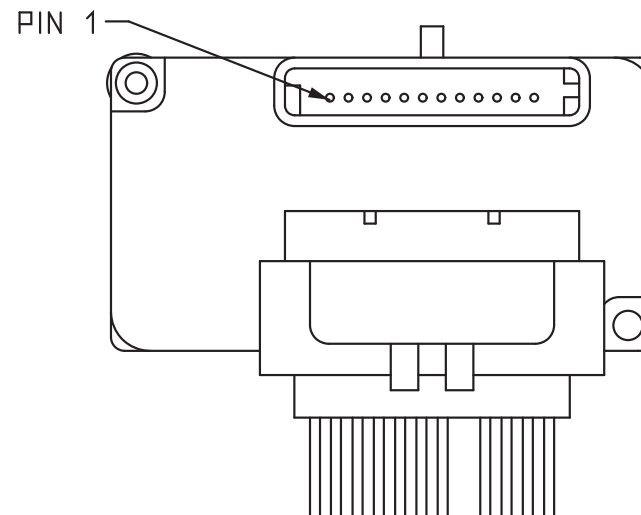


STEP 4: SETTING UP TESTER

Enter product select number "15" and press start to begin test.

15

STEP 2: MAKE CONNECTIONS TO PART (F142)



DANGER: Do not handle the module during or immediately after the test sequence, as electrical shocks and burns may occur.

Ignition Coil B Driver
Ignition Coil C Driver
Ignition Coil A Driver
Power Ground
Ignition Switch Power
CKP Harness Shield
Crankshaft Sensor Positive
Crankshaft Sensor Negative
Ignition Ground To PCM
SPOUT Input
IDM Signal
PIP Signal

