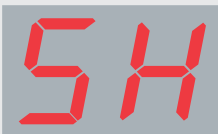


# CONTROL MODULE F140 (Rel)

©2009 WELLS Manufacturing, L.P.  
All Rights Reserved. No portion of this manual may be reproduced without the written permission of Wells Manufacturing, L.P.

## NOTES

1



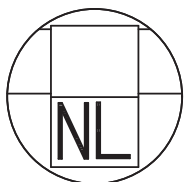
If "SH" displays, check connections and retest. If there is no change, the module has failed.

2

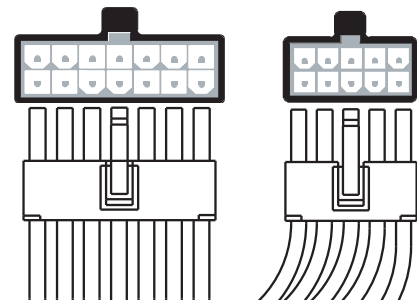
3

**FOR ASSISTANCE CALL:  
WELLS MANUFACTURING, L.P.  
1-800-558-9770  
FOR CUSTOMER SERVICE**

## STEP 1: FIND CORRECT LEAD WIRE



## STEP 3: CONNECT TO TESTER

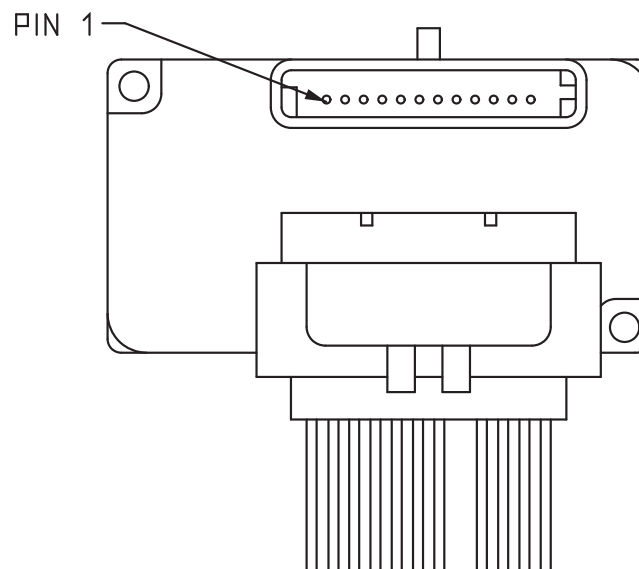


## STEP 4: SETTING UP TESTER

Enter product select number "14" and press start to begin test.



## STEP 2: MAKE CONNECTIONS TO PART (F140)



**DANGER:** Do not handle the module during or immediately after the test sequence, as electrical shocks and burns may occur.

