

CONTROL MODULE DR126 (A)

©2009 WELLS Manufacturing, L.P.
All Rights Reserved. No portion of this manual may be reproduced without the written permission of Wells Manufacturing, L.P.

NOTES

1



If "SH" displays, check connections and retest. If there is no change, the module has failed.

2

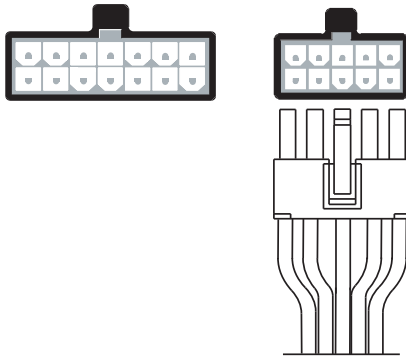
3

**FOR ASSISTANCE CALL:
WELLS MANUFACTURING, L.P.
1-800-558-9770
FOR CUSTOMER SERVICE**

STEP 1: FIND CORRECT LEAD WIRE



STEP 3: CONNECT TO TESTER

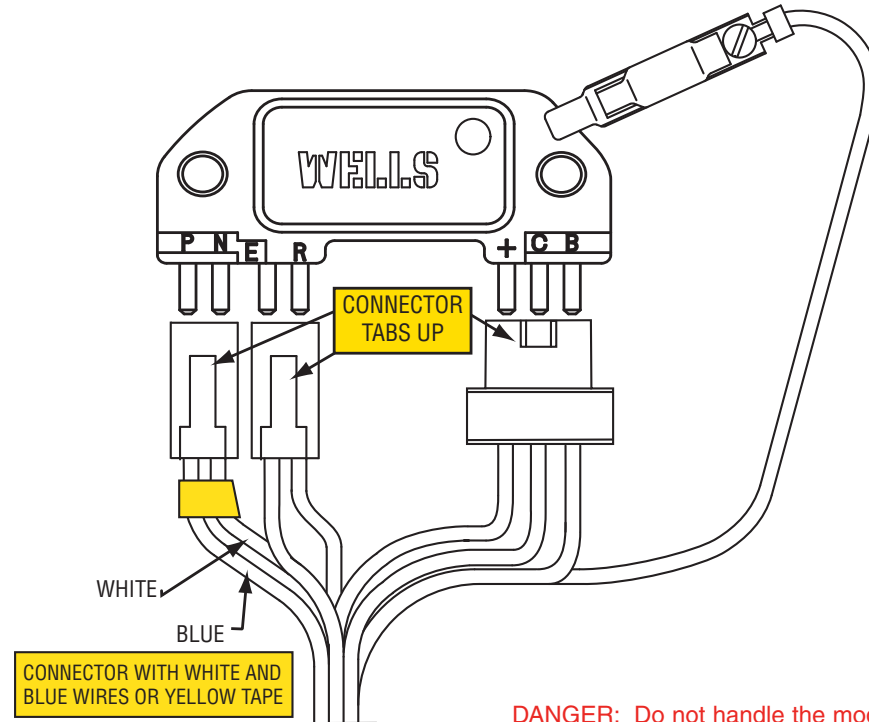


STEP 4: SETTING UP TESTER

Enter product select number "07" and press start to begin test.



STEP 2: MAKE CONNECTIONS TO PART (DR126)



DANGER: Do not handle the module during or immediately after the test sequence, as electrical shocks and burns may occur.

