



# Wire Harness Installation Instructions

For Installing:

Part #20106 – Chevy Harness (18 circuit/1955-57)

Part #20107 – Chevy Harness (12 circuit/1955-57)



Manual #90553



Painless Performance Products Division  
**Perfect Performance Products, LLC**  
2501 Ludelle St., Fort Worth, Texas 76105-1036  
Phone (800) 423-9696

We have attempted to provide you with as accurate instructions as possible, and are always concerned about corrections or improvements that can be made. If you have found any errors or omissions, or if you simply have comments or suggestions concerning these instructions, please write us at the address on the cover and let us know about them. Or, better yet, send us a fax at (817) 244-4024 or e-mail us at [painless@painlessperformance.com](mailto:painless@painlessperformance.com). We sincerely appreciate your business.

**Perfect Performance Products, LLC** shall in no event be liable in contract or tort (including negligence) for special, indirect, incidental, or consequential damages, such as but not limited to, loss of property damage, or any other damages, costs or expenses which might be claimed as the result of the use or failure of the goods sold hereby, except only the cost of repair or replacement.

P/N 90553 Painless Wiring Manual September 2008

1<sup>st</sup> Edition, September 2008

**Copyright © 2008**

**by Perfect Performance Products, LLC**

**NOTE :**

**If your vehicle has an existing harness, you will want to retain it for the possible re-use of various Pigtails & Connector housings, particular to your application.**

**If you do not have an existing harness, there is a package of terminals included with the harness that will enable you to make most of the connections needed.  
Replacement lighting pigtails & sockets can be readily obtained from your local parts distributor**

## TABLE OF CONTENTS

List of Figures.....	ii
List of Tables.....	ii
List of Diagrams.....	ii
1.0 Introduction.....	1
2.0 About These Instructions.....	1
3.0 Contents Of The Painless Wire Harness Kit.....	2
4.0 Tools Needed.....	2
5.0 Pre-Installation and General Harness Routing Guidelines.....	2
6.0 Harness General Installation Instructions.....	4
6.1 Rough Installation.....	4
6.2 Harness Attachment.....	4
6.3 Grounding the Automobile.....	4
6.4 Terminal Installation and Making Connections.....	5
6.5 Testing the System.....	5
7.0 Specific Circuit Connections.....	6
7.1 Generator Charging System.....	6
7.2 Generator to Alternator Conversion.....	6
7.3 Early GM (externally regulated) Alternator.....	7
7.4 GM Alternator (internally regulated).....	7
7.5 GM One Wire Alternator.....	8
7.6 GM Ignition (Start/Run).....	9
8.0 Headlight Section "A".....	10
9.0 Steering Column Turn Signal Wiring.....	12
9.1 Turn Signal Wiring (factory style column).....	13
9.2 Turn Signal Wiring (aftermarket column).....	13
10.0 Ammeter & Maxi Fuse Connection.....	14
11.0 Interior Lighting.....	15
12.0 Headlight Section "B".....	15
13.0 Instrument Panel Wiring.....	16
14.0 Brake Light Switch.....	16
15.0 Tail Section Wiring.....	17
16.0 Wire Connection Index and Fuse Requirements.....	19

## LIST OF FIGURES

Figure 3.1	The Painless Wire Harness Kit.....	2
Figure 7.1	Generator Charging System.....	6
Figure 7.3	Early GM Alternator - External Regulator.....	7
Figure 7.4	Late GM Alternator - Internal Regulator.....	7
Figure 7.5	High Output Wire.....	8
Figure 7.5A	GM CS-130 External Fan Alternator.....	9
Figure 7.5B	GM CS-130 Connector and Pin Out.....	9
Figure 7.5C	GM CS-130D Internal Fan Alternator.....	9
Figure 7.5D	GM CS-130D Connector and Pin Out.....	9
Figure 7.6	Maxi-Fuse.....	9
Figure 7.6A	GM Ignition System.....	9
Figure 8.1	Headlight Section "A" Wiring.....	10
Figure 8.2	Fan Relay (typical).....	11
Figure 8.3	Fan Relay With Thermostat (typical).....	11
Figure 9.1	1955-1957 Chevrolet Ignition Switch.....	12
Figure 9.2	Turn Signal Connector (factory style column).....	12
Figure 9.3	GM Style Turn Signal & Ignition Switch (aftermarket column).....	13
Figure 10.1	Ammeter and Maxi-Fuse.....	14
Figure 11.1	Interior Lighting.....	15
Figure 12.1	Headlight Section "B" Wiring.....	15
Figure 12.2	Headlight section "B" 1957 Switch (some applications).....	16
Figure 12.3	Dimmer Switches.....	16
Figure 15.1	Integrated Brake Lights.....	17
Figure 15.2	Separate Turn/Brake Lights.....	18

## LIST OF TABLES

Table 9.1	Turn Signal Wiring (factory style connector).....	12
Table 9.2	Turn Signal and Ignition Switch (aftermarket style column).....	13
Table 16.1	Fuse Requirements.....	19
Table 11-2	Wire Connection Index (1 of 3).....	20
Table 11-2	Wire Connection Index (2 of 3).....	21
Table 11-2	Wire Connection Index (3 of 3).....	22

## LIST OF DIAGRAMS

Diagram 1	Instrument Panel Section Wiring.....	23
Diagram 2	Engine Wiring.....	24

## 1.0 INTRODUCTION

You have purchased what we at Painless Performance Products believe to be the most up-to-date and easiest-to-install automotive wire harness on the market. It is designed for easy installation, even if you have no electrical experience.

All kits have a built-in-anti-theft feature. Removing the fuse labeled "coil" from the fuse block will prevent the vehicle from starting.

The proper fuses have been pre-installed in the fuse block. In addition, all wires are color-coded. This will help you identify the different circuits during installation and later on if additions to the overall system are necessary. For fuse specifications and wire color designations, see **Section 11.0**.

In addition all of our kits have "accessory" terminals at the front of the fuse block for your convenience. These terminals may be constantly hot or "switched" hot but all are un-fused. If you plug into one of these terminals you must provide your own in-line fuse or circuit breaker.

The Painless wire harness is designed to be used in vehicles with a General Motors - keyed steering column, or other steering columns, depending on the kit purchased. All wire is 600 volt, 125°C, TXL. Standard automotive wire is GPT, 300 volt, 80°C, with PVC insulation.

This complete automobile wiring system has been designed with three major groups incorporated into it:

### ENGINE/HEADLIGHT GROUP

Includes high beam, low beam, park, right turn, left turn, electric fan, horn, starter solenoid and battery feed, alternator and alternator exciter wire, distributor, water temperature, oil pressure, and air conditioning.

### DASH GROUP

Includes wires to connect gauges, indicator lights, and switches to their proper sources. Trunk accessory, door locks, power windows, and electric fuel pump are included in the 18-circuit kit.

### REAR LIGHT GROUP

Includes tail lights, dome lights (see Paragraph 10.4.2), left and right turn signals, brake lights, and fuel sender.

Installation requires four (4) easy steps:

1. Mount the fuse block
2. Route the wires
3. Cut off the excess wire
4. Terminate the wires

## 2.0 ABOUT THESE INSTRUCTIONS

The contents of these instructions are divided into major **Sections**, as follows:

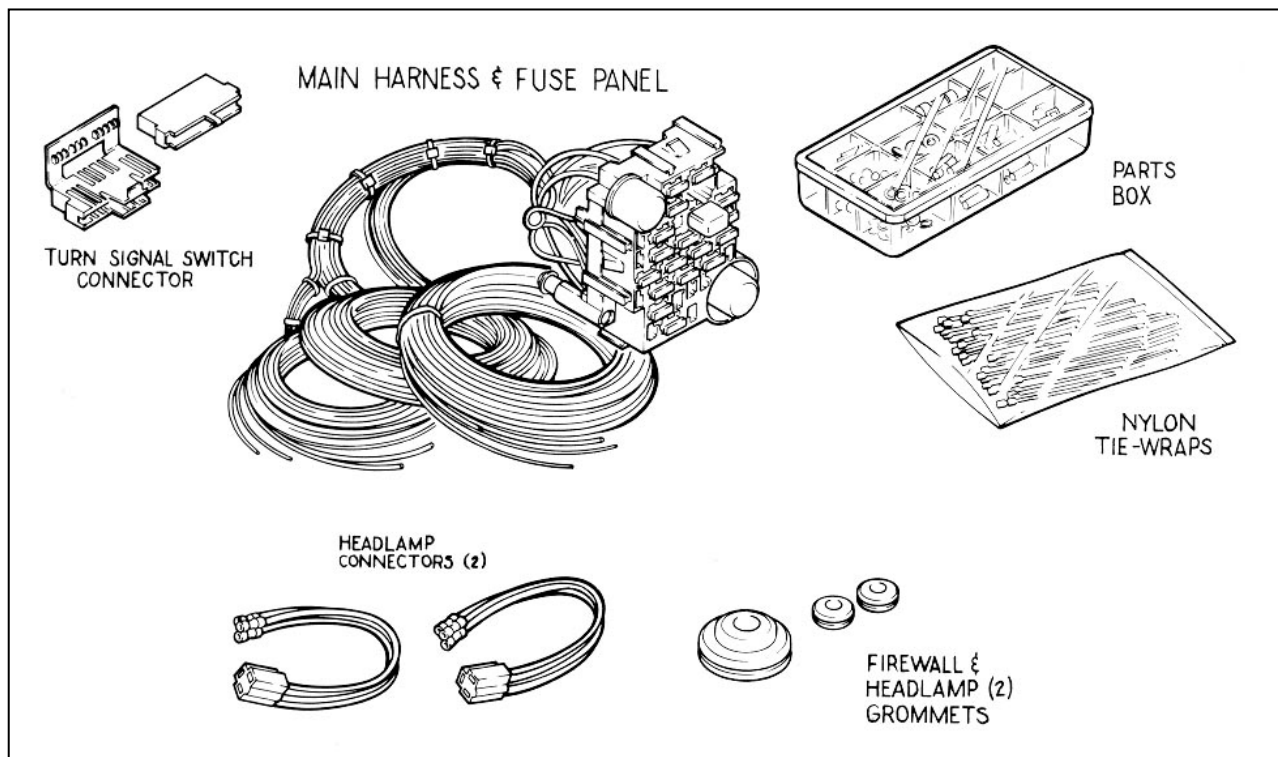
- 1.0 Introduction
- 2.0 About These Instructions
- 3.0 Tools Needed
- 4.0 Contents of Painless Wire Harness Kit
- 5.0 Pre-Installation and General Harness Routing Guidelines
- 6.0 General Harness Installation Instructions
- 7.0 Specific Circuit Connection Details
- 8.0 All Makes - Specific Circuit Connection Details
- 9.0 Wire Connection Index and Fuse Requirements

Sections are divided into subsections and **Paragraphs**. Throughout these instructions, the **Figure** numbers refer to illustrations and the **Table** numbers refer to information in table form. These are located in Sections or Paragraphs corresponding to the number. Always pay special and careful attention to any *Notes*, especially those in the Tables, and any text marked **Caution**.

### 3.0 CONTENTS OF THE PAINLESS WIRE HARNESS KIT

Refer to **Figure 3-1** to take inventory. See that you have everything you're supposed to have in this kit. If anything is missing, contact the dealer where you obtained the kit or Painless Performance at (800) 423-9696. The Painless Wire Harness Kit should contain the following items:

- A** The Main Wire Harness, with the Fuse Block wired in and fuses installed.
- B** Headlamp Connector Cables. (Extra Headlamp Cables are available separately under P/N 80300.)
- C** Maxi Fuse
- D** Firewall Grommet (large)
- E** 2 Fender Well Grommets (for Headlamps)
- F** 2 packages of Nylon Tie Wraps
- G** 2 GM Turn Signal Connectors (if applicable)
- H** Parts Box, containing a GM Alternator Connector, Terminals, Splices, etc. This booklet, P/N 90553 Painless Wiring Manual.



**Figure 3-1** The Painless Wire Harness Kit

### 4.0 TOOLS NEEDED

In addition to your regular tools, you will need, at least, the following tools:

- Crimping Tool *Note: Use a quality tool to avoid over-crimping.*
- Wire Stripper
- Test Light or Volt Meter
- Electric Drill
- 1-1/4" Hole Saw
- Small (10 amp or less) Battery Charger

### 5.0 PRE-INSTALLATION AND GENERAL HARNESS ROUTING GUIDELINES

The installation of your wire harness mainly consists in two parts:

- The physical routing and securing of the wire harness, wires, and groups.
- The proper connection of the individual circuits.

These two major tasks are not separate steps, but are integrated together. That is, you will route some wires and make some connections, route some more wire and make some more connections.

We cannot tell you how to physically route the harness in your vehicle. That depends a great deal upon your particular application, and to what extent you want to secure and conceal the harness. We do offer some general guidelines and routing practices starting in **Section 5.2**, GENERAL installation instructions in **Section 6.0**, and specific instructions concerning the electrical connections you will have to make in beginning in **Section 7.0**. To help you begin thinking through the installation of your wire harness, read the following sections:

- 5.1** Familiarize yourself with the harness by locating each of the harness sections in the following list. (Whenever a particular harness section is referred to in these instructions it is shown "all caps": ENGINE SECTION A.) Note that, according to the particular harness you have purchased, some of these sections may not be present, and some are not labeled:

ACCESSORY SECTION SWITCHES	HEADLIGHT SECTION A
ACCESSORY SECTION B+	HEADLIGHT SECTION B
DIMMER SWITCH SECTION	IGNITION SWITCH SECTION
DOOR SECTION A	INSTRUMENT PANEL SECTION
DOOR SECTION B	RADIO SECTION
ENGINE SECTION	SPEAKER SECTION
ENGINE SECTION (Single, 10 ga. red wire)	TAIL SECTION
ENGINE SECTION A	TURN SIGNAL SECTION

*Note:* For complete information concerning the individual circuits and wires that make up the harness SECTIONS, see **Section 16.0**

- 5.1** Decide where the fuse block will be mounted. The Painless Wire Harness is designed for the fuse block to be mounted on the driver's side, under the dash.
- 5.2** Decide which of the following circuits you will be using in your system and where the harness groups or wires will be routed:

#### ROUTING LOCATION AND PLACEMENT

Emergency Flashers	
Horn	
Dome Lights	
Lights	
Power Windows*	
Power Door Locks*	
Cigarette Lighter*	
Wipers	
Electric Fuel Pump*	
Air Conditioner	
Electric Cooling Fan	
Coil	
Trunk Light*	
Turn Signals	
Radio Ignition Switched Power	
Radio Constant Power	
Power Antenna*	
Gauges	
Accessories	
Backup Lights*	
Cruise Control*	

\*These circuits are included in the 18-circuit kit only.



5.2 Where will the following harness groups be routed?

Headlights	
Engine	
Dash	
Tail Lights	
Doors and Speakers	

- 5.2 A good exercise is to lay out the wire harness on the floor beside your automobile and identify all the SECTIONS. You will want to route the harness through and around open areas. Inside edges provide protection from hazards and also provide places for tie wraps, clips and other support.
- 5.2 Route the harness away from sharp edges, exhaust pipes, and hood, trunk and door hinges.
- 5.2 Plan where harness supports will be located. Allow enough slack at places where movement could occur (body to frame, frame to engine, etc.). Use a support every 12 inches unless the harness routes under the floor carpet.
- 5.2 At wire ends don't depend on the terminals to support the harness. The weight of the harness could cause terminals to disconnect or copper wire strands to break.
- 5.2 The wires should be bundled into groups. Use nylon ties, powerbraid, or tape.

6.0 HARNESS GENERAL INSTALLATION INSTRUCTIONS

6.1 Rough Installation

**CAUTION:** *DISCONNECT THE POWER FROM YOUR VEHICLE BY REMOVING THE NEGATIVE (BLACK) BATTERY CABLE FROM THE BATTERY.*

*Note:* Make no wire connections or permanent mounting of any kind at this time!

*NOTE:* Study the layout and grouping of the wires CAREFULLY! Some installations deviate from stock, and require re-routing of certain wires. NOW is the time to take this step.

- 6.1.1 Position the fuse block in its mounting area.
- 6.1.2 Drill a 1-1/4" (1.25") hole near the fuse block for engine and headlight group wires to pass through (ENGINE SECTION, ENGINE SECTION A, SINGLE 10 GA. (Red wire #916), and HEADLIGHT SECTION A).
- 6.1.3 Install the Firewall grommet. Route engine and headlight group wires through the grommet and position the harness groups in the areas decided upon in **Sections 5.3** and **5.1**.
- 6.1.4 Route dash group (ACCESSORY SECTION B+, ACCESSORY SECTION SWITCHES, HEADLIGHT SECTION B, INSTRUMENT PANEL SECTION and RADIO SECTION) upward to rear of dash and temporarily tie in place.
- 6.1.5 Position rear group, consisting of DOOR SECTIONS A & B and SPEAKER SECTION (both in 18-circuit kits only) and TAIL SECTION, on floor pan area decided upon in **Sections 5.3** and **5.4**.

6.2 Harness Attachment

*Note:* Harness routing and shaping is and should be a time-consuming task. Taking your time will enhance the beauty of your installation. Please be patient and TAKE YOUR TIME!

- 6.2.1 Permanently mount the fuse block. (Note: The fuse block itself does not have to be grounded.)
- 6.2.2 Mold harness groups to the contour of floor pan, firewall, fender panels, and any other area where wires or harness groups are routed. Remember to route the harness away from sharp edges, exhaust pipes, hood, trunk and door hinges, etc.
- 6.2.3 Attach harness groups to your automobile with clips or ties starting at the fuse block and working toward the rubber grommet for the front groups and along the floor pan for the rear group. The dash wires should be routed out of the way of any under-dash obstacles, such as, air conditioning, radio, etc.

*Note:* Do not tighten tie wraps and mounting devices at this time. Make all harness attachments LOOSELY.

- 6.2.4 When used every 1-1/2" or so on the visible areas of the harness, the plastic wire ties make a very attractive assembly. A tie installed in other areas every 6" or so will hold the wires in place nicely. Remember to take your time!

### 6.3 Grounding the Automobile

A perfectly and beautifully wired automobile will nevertheless have bugs and problems if everything is not properly grounded. Do not go to the careful effort of installing a quality wire harness only to neglect proper grounding.

*Note: The Painless Wire Harness Kit includes no ground wire except the black wire from the two headlamp connectors. You must supply ground wire (14-16 gauge) for all circuits.*

- 6.3.1 Connect a Ground Strap or Cable ( **2ga MINIMUM** ) from the Negative battery terminal to the engine block
- 6.3.2 Connect a Ground Strap from the engine to the chassis. **DO NOT RELY UPON THE MOTOR MOUNTS TO MAKE THIS CONNECTION.**
- 6.3.4 Connect a Ground Strap from the Engine to the Body.
- 6.3.4 If you have a fiberglass body you should install a terminal block to ground all your Gauges and Accessories. Ground the Terminal Block with at least a 12-gauge wire to the chassis.

### 6.4 Terminal Installation and Making Connections

*Note: In the following steps you will be making the circuit connections. Before you start, you should carefully read **Sections 7.0 through 15.0**, as appropriate, and continually refer to **Section 16.0**, **DOUBLE-CHECKING** your routing and length calculations before cutting any wires and making connections. Give special attention to Turn Signal and Ignition Switch connections. These can be somewhat confusing.*

- 6.4.1 Have all needed tools and connectors handy.
- 6.4.2 Select the correct size terminal for the wire and stud application.
- 6.4.3 Determine the correct wire length and cut the wire. Remember to allow enough slack in the harness and wires at places where movement could possibly occur, such as automobile body to frame, frame to engine, etc. **Double-check your calculations.**
- 6.4.4 Strip insulation away from wire. Strip only enough necessary for the type of terminal lug you are using.

*Note: In the following step, make sure that the terminal is crimped with the proper die in the crimping tool. An improper crimp will NOT make a good connection.*

- 6.4.4 Crimp the terminal onto the wire.

**CAUTION: DO NOT OVER-CRIMP!**

- 6.4.6 Connecting the harness throughout the groups is a redundant process. Make sure that each wire is FIRST properly routed and THEN attach. **DO NOT ATTACH FIRST THEN ROUTE AFTERWARD.**

*Note: Wire connector pinouts shown in this manual are shown from the WIRE INSERT side!*

- 6.4.7 When all wires are attached, tighten the mounts and ties to secure harness permanently.

### 6.5 Testing The System

- 6.5.1 Use a small (10 amp or less) battery charger to power up the vehicle for circuit testing. If there is a problem anywhere, the battery charger's low amperage and internal circuit breaker will provide circuit protection.

**CAUTION: IF YOU HAVE NOT YET DISCONNECTED THE BATTERY FROM THE AUTOMOBILE, DO SO NOW! DO NOT CONNECT THE BATTERY CHARGER WITH THE BATTERY CONNECTED.**

Connect the battery charger's NEGATIVE output to the automobile chassis or engine block and its POSITIVE output to the automobile's positive battery terminal.

- 6.5.2 INDIVIDUALLY turn on each light, ignition, wiper circuit, etc. and check for proper operation.

*Note: The turn signals will not flash properly if you do not have both the front and rear bulbs installed and connected.*

- 6.5.3 When all circuits check out THEN attach the battery cable to the battery for vehicle operation.

## 7.0 SPECIFIC CIRCUIT CONNECTIONS

*Note:* Your charging unit may not appear exactly as represented in the **Figures** below. The circuits are wired in the same manner.

### 7.1 Generator Charging System. See Figure 7-1.

- 7.1.1 Connect Generator ARMATURE terminal (A) to Voltage Regulator terminal A. Connect Generator FIELD terminal (F) to Voltage Regulator terminal F. Use 14-gauge wire (color optional) for FIELD and 12-gauge wire for Armature.
- 7.1.2 Be sure both the generator and the voltage regulator are securely grounded. The voltage regulator may have a terminal for this purpose (labeled "G") or you may have to ground the regulator case.
- 7.1.3 Connect ENGINE SECTION wire #915 (red) to Voltage Regulator terminal B.
- 7.1.4 Insulate and stow ENGINE SECTION wire #914 (wht).

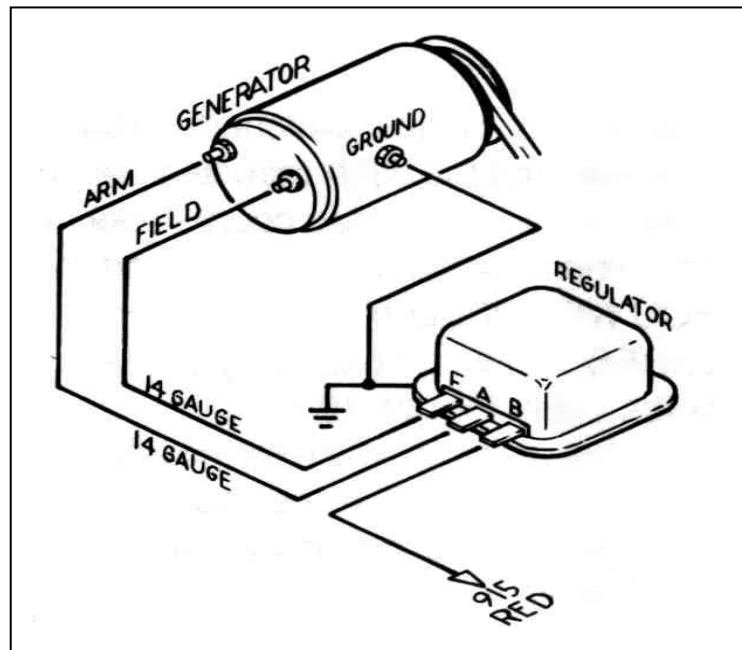


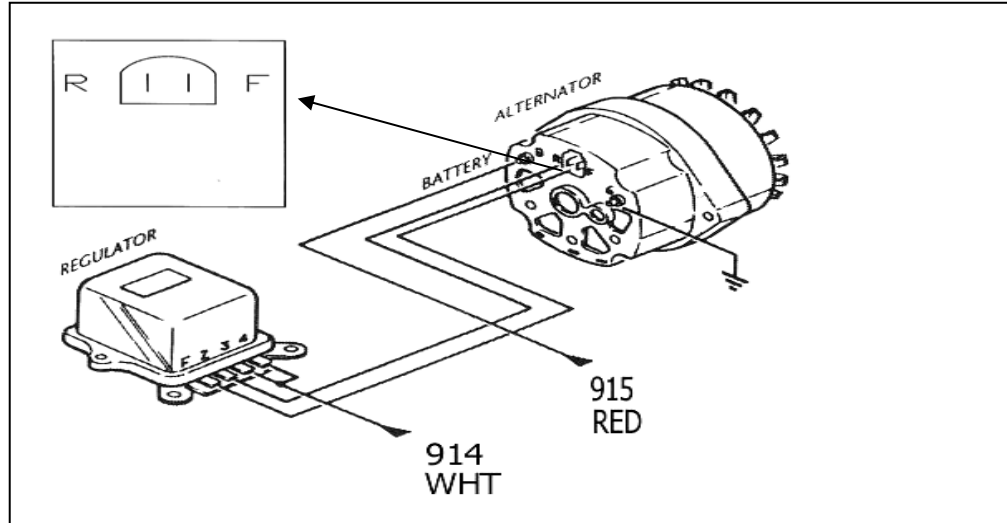
Figure 7-1 Generator Charging System

### 7.2 Generator to Alternator Conversion

- 7.2.1 You may be able to convert your generator charging system to use an alternator and external regulator without altering or re-routing existing wires.
- 7.2.2 Install the new alternator and replace the existing generator voltage regulator with the new, alternator compatible one.
- 7.2.3 Connect the existing wiring according to either **Section 7.3, 7.4, 7.5** or as appropriate for your particular unit

**7.3 Early GM Alternator (before 1969) - External Regulator. See Figure 7-3.**

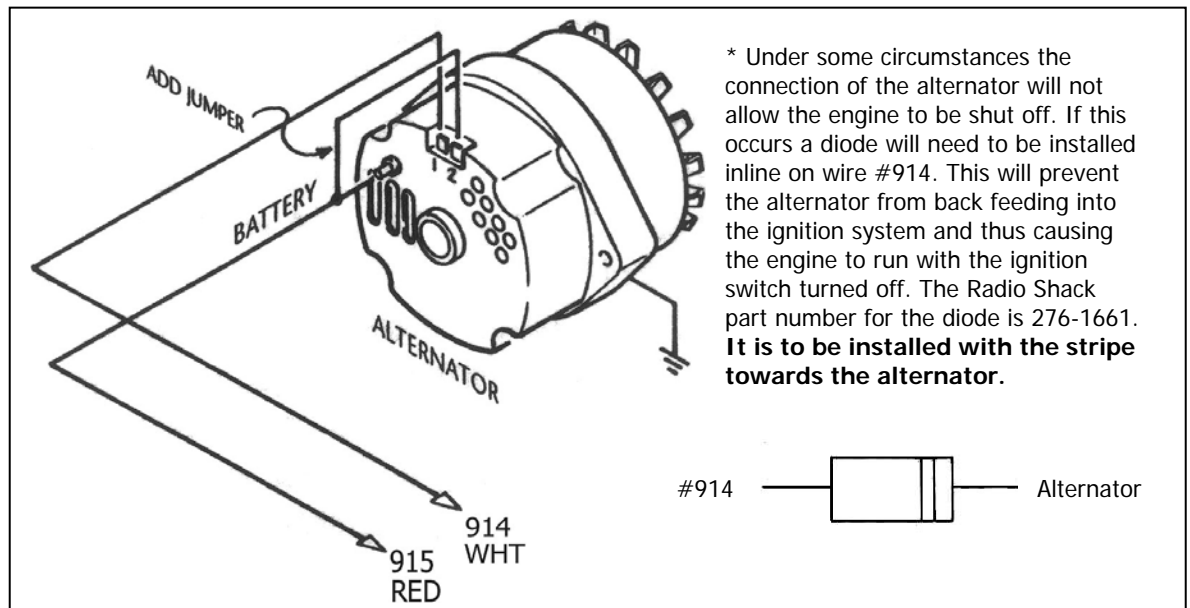
- 7.3.1 With a short 16-gauge jumper wire, connect Voltage Regulator terminals 3 & 4 together. Connect ENGINE SECTION wire #914 (wht) to Voltage Regulator terminal 3 or 4.
- 7.3.2 Connect ENGINE SECTION wire #915 (red) to the Alternator Output lug (Bat).
- 7.3.3 Connect a 14-gauge wire from Voltage Regulator terminal 2 to Alternator terminal R. Connect a 14-gauge wire from Voltage Regulator terminal F to Alternator terminal F.
- 7.3.4 Connect a 16-gauge ground wire from the Alternator Ground lug (G) to chassis ground.



**Figure 7-3** Early GM Alternator - External Regulator

**7.4 GM Alternator (after 1972) - Internal Regulator. See Figure 7-4.**

- 7.4.1 Connect ENGINE SECTION wire #914 (wht) to Alternator terminal 1. Connect ENGINE SECTION wire #915 (red) to the Alternator Output lug (Bat).
- 7.4.2 Connect a short 14-gauge jumper wire from Alternator terminal 2 to the Alternator Output lug (Bat).
- 7.4.3 A connector and terminal spades for late GM Alternators are included in the parts box.



**Figure 7-4** Late GM Alternator - Internal Regulator

7.5

**GM One-Wire Alternator.**

- 7.5.1 Connect ENGINE SECTION wire #915 (red) to the Alternator Output lug (Bat). Insulate and stow ENGINE SECTION wire #914 (wht). Do not install jumper wire. No wires are connected to Alternator terminals 1 & 2. If alternator output is greater than 65 amps refer to Figure 7-2B and the caution on page 6.
- 7.5.2 When using a 1-wire alternator you must use a voltmeter or ammeter. A WARNING LIGHT CANNOT BE WIRED IN.

**CAUTION:** IF USING AN ALTERNATOR WITH AN OUTPUT LARGER THAN 65 AMPS, YOU WILL ALSO NEED TO USE THE RED 10 GAUGE WIRE #960 AND THE RED 8 GAUGE WIRE INCLUDED IN THE BOX. THE WIRE END WITH THE RING TERMINAL AND RUBBER BOOT WILL CONNECT TO THE ALTERNATOR OUTPUT LUG WITH #915. ROUTE THE OTHER END TO THE MAXI FUSE TERMINAL WITH WIRE #916. CUT THE WIRE AND CRIMP ON A RING TERMINAL. NOW INSTALL A RING TERMINAL ON THE REMAINING RED 8 GAUGE WIRE AND ATTACH IT TO THE STARTER SIDE TERMINAL OF THE MAXI FUSE. CUT THE 8 GAUGE RED WIRE TO LENGTH, CRIMP ON A RING TERMINAL AND ATTACH IT TO THE MAIN SOLENOID LUG WITH THE POSITIVE BATTERY CABLE. SEE FIGURE 7-5

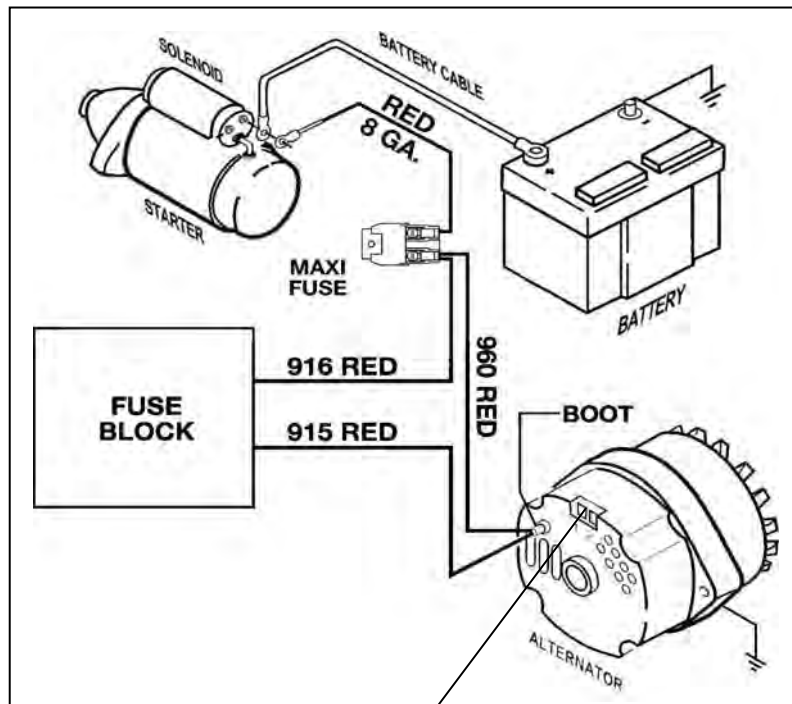


Figure 7-5 High Output Wire

\* These terminals will not be used on One Wire alternators. They will normally have a black plastic plug which blocks off the terminals.  
\*\* If you do not have a One Wire alternator refer to Figure7-4

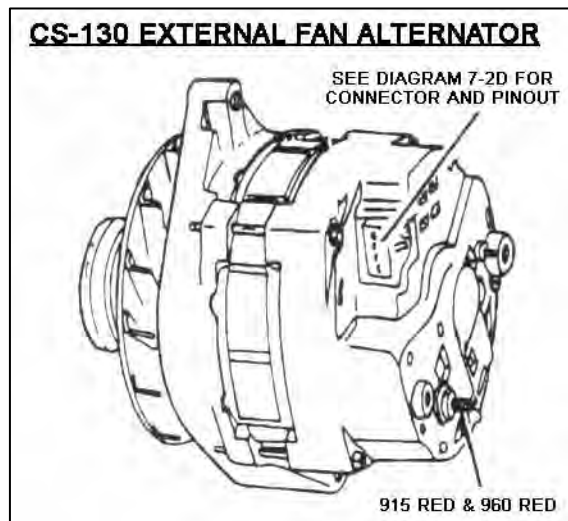


Figure 7-5A CS-130 External Fan Alternator

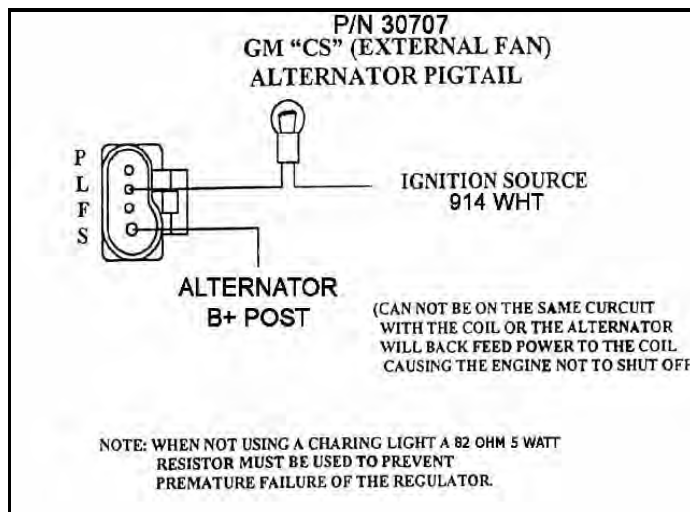


Figure 7-5B CS-130 Connector and Pin Out

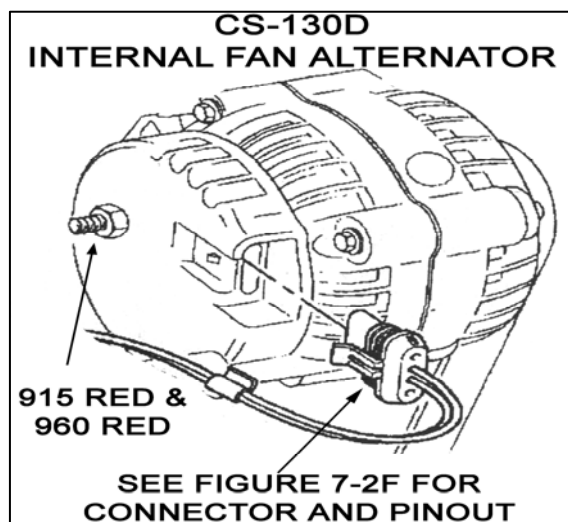


Figure 7-5C CS-130D Internal Fan Alternator

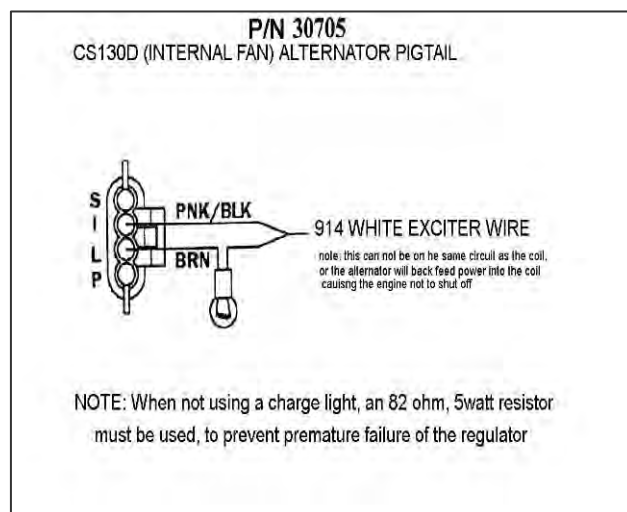


Figure 7-5D CS-130D Connector and Pin Out

**7.6 GM Ignition (Start/Run) System. See Figure 7-6A.**

*Note:* If you are going to install an ammeter, see **Section 10.1** first.

**7.6.1** With crimping tool, attach Maxi Fuse (**Figure 7-6**) onto end of ENGINE SECTION (single) 10 ga. wire #916 (red) AFTER having routed wire from the Fuse Panel to the Starter Solenoid. This serves as a fuse to protect the entire harness. DO NOT OMIT IT!

**7.6.2** Connect wire #916 - with Maxi Fuse installed – to the Starter Solenoid Battery terminal. This is the same lug that the large red cable from the battery is normally connected to.

**7.6.3** Connect ENGINE SECTION A wire #919 (pur) to the Starter Solenoid Start (S) terminal. (See illustration on page 31)

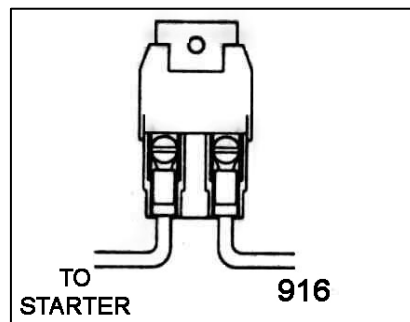
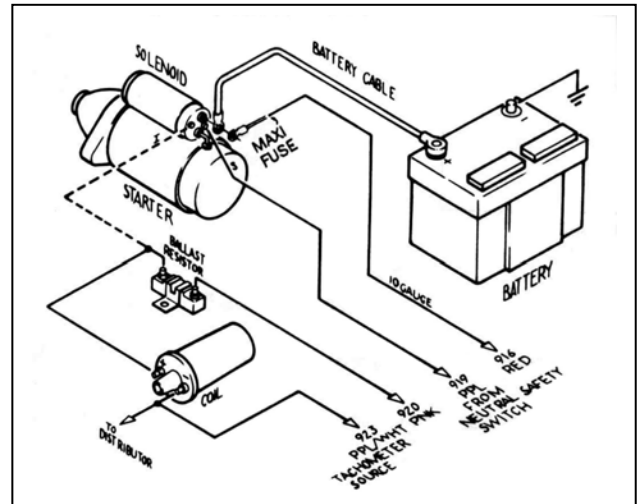


Figure 7-6 Maxi Fuse

**7.6.4** If you are using the Ballast Resistor, mount it away from other wiring or hoses. The Ballast Resistor gets very hot during operation. Connect ENGINE SECTION A wire #920 (pnk) to one end of the Ballast Resistor. Connect the other end of the Ballast Resistor to the Ignition Coil B+ terminal with 14-gauge wire (you may have enough pink wire left over to accomplish this). If you are not using a Ballast Resistor, connect wire #920 directly to the Ignition Coil B+ terminal.

**Note:** The ballast resistor has been deleted from this kit due to lack of consumer usage. If one is needed in your application, please call Painless Performance at 800-423-9696 for assistance.

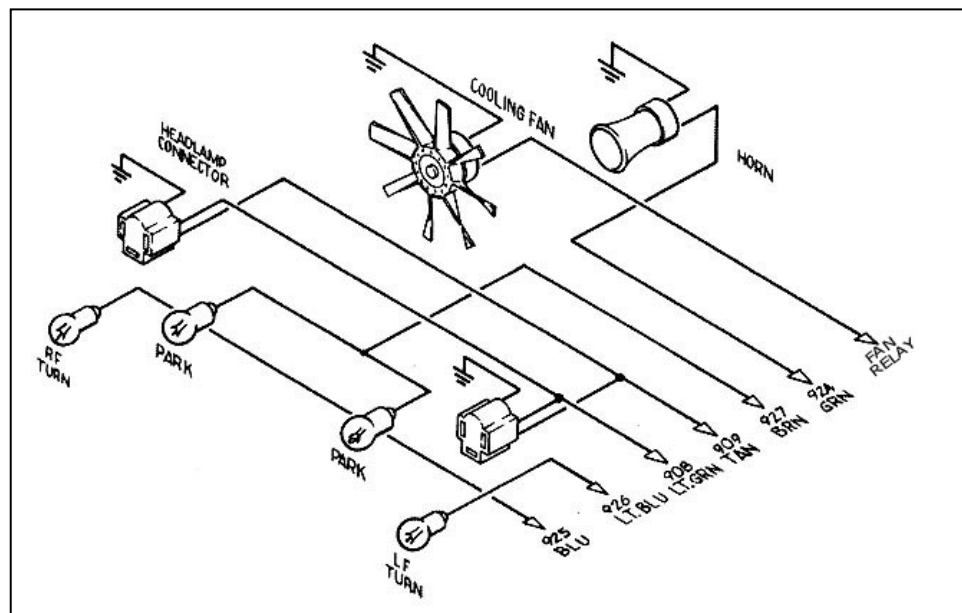
**Important Note! For HEI systems route wire #920 (pnk) to the Distributor and attach it to the terminal labeled BAT. No Ballast Resistor is required.**



**Figure 7-6A** GM Ignition (Start-Run) System

**NOTE:** To supply switched power to a fuel injection system, use ENGINE SECTION A wire #920 (pnk) as the fused ignition power source.

- 7.6.5** The Ignition Coil NEGATIVE (-) terminal is connected to the Distributor. Connect ENGINE SECTION A wire #923 (pur/wht) to the Ignition Coil NEGATIVE (-) terminal. This is the tachometer source. If you are not using a tachometer, insulate and stow wire #923.
- 7.6.6** A 14-gauge wire connected from the Starter Solenoid Ignition (I) terminal to the ignition coil side of the Ballast Resistor is optional. This wire (the dashed line in **Figure 7-6A**) serves as a ballast resistor BYPASS during engine starting. However, if the starter solenoid shorts out, which is not unusual, the engine will stop running and will not restart as long as this wire is connected. You may therefore choose to omit it. If you are not using a Ballast Resistor, leave the Starter Solenoid Ignition (I) terminal unconnected and do not install the bypass wire.



**Figure 8-1** HEADLIGHT SECTION A Wiring

**8.0 HEADLIGHT SECTION A. See Figure 8.1**

- 8.1.1** Connect HEADLIGHT SECTION A wire #924 (grn) to the Horn's hot terminal. TURN SIGNAL SECTION wire #953 (blk) was connected in the Turn Signal Connector section of these instructions. The Horn Relay is pre-wired into the Fuse Panel. The factory horn relay is NOT used.

- 8.1.2 Connect HEADLIGHT SECTION A wires #908 (lt.grn) and #909 (tan) to the green and tan wires of BOTH Headlamp Connectors. Connect the black wires of the Headlamp Connectors to Chassis Ground. You should have enough wire to accomplish this. You have been supplied with two small grommets (**Figure 3-1**) should you need to pass these wires through a fender well. Don't forget to thread them onto the wires BEFORE you connect the wires.
- 8.1.3 Connect HEADLIGHT SECTION A wire #927 (brn) to ALL front Park Lights. Connect HEADLIGHT SECTION A wire #925 (blu) to the RIGHT FRONT Turn Signal. Connect wire #926 (lt.blu) to the LEFT FRONT Turn Signal. **Note:** Don't confuse Park Lights with Turn Signals.
- 8.1.4 Connect HEADLIGHT SECTION A wire #901 (gry/wht) to the Electric Fan Relay. This wire is an activation wire for the relay, **NOT A POWER FEED**. The other end of wire #901 is in the ACCESSORY SECTION SWITCHES and should be connected to the electric fan switch in the dash. Connect 906 (gry/wht) from ACCESSORY SECTION B+ to the other side of the fan switch. **Figure 8-2** shows a typical fan relay installation. **Note:** The wire going to the fan in Figure 10-4B will be coming from the fan relay output terminal. Wire #901 (gry/wht) from the ACCESSORY SECTION SWITCHES is an activation wire for the fan relay.  
**NOTE:** If you are using a thermostatic switch in the engine to control the ground for the fan relay, you will then connect the 901 (gry/wht) from ACCESSORY SECTION SWITCHES directly to the 906 (gry/wht) from ACCESSORY SECTION B+.

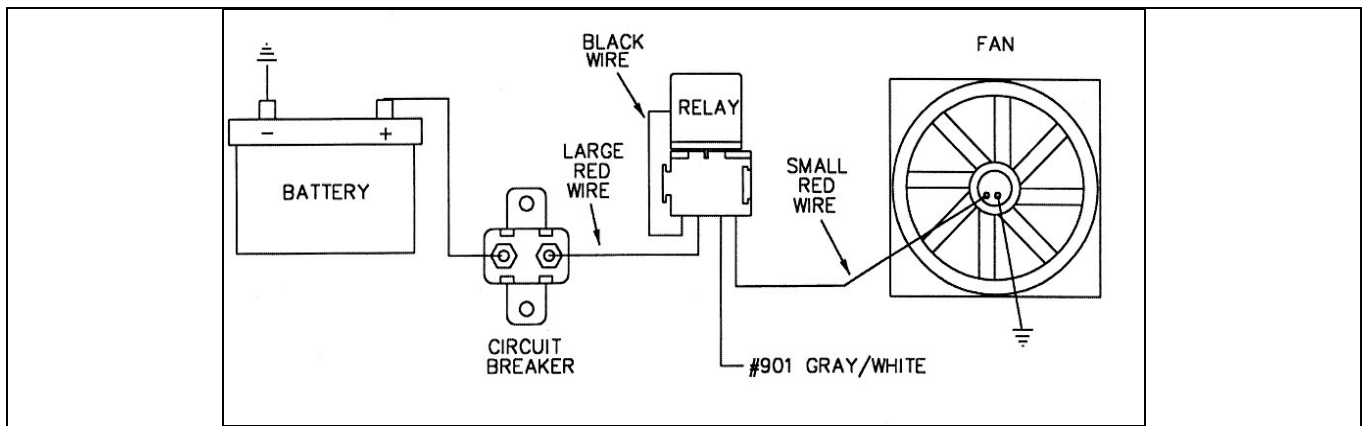


Figure 8-2 Typical Fan Relay Installation (Painless Part #30101)

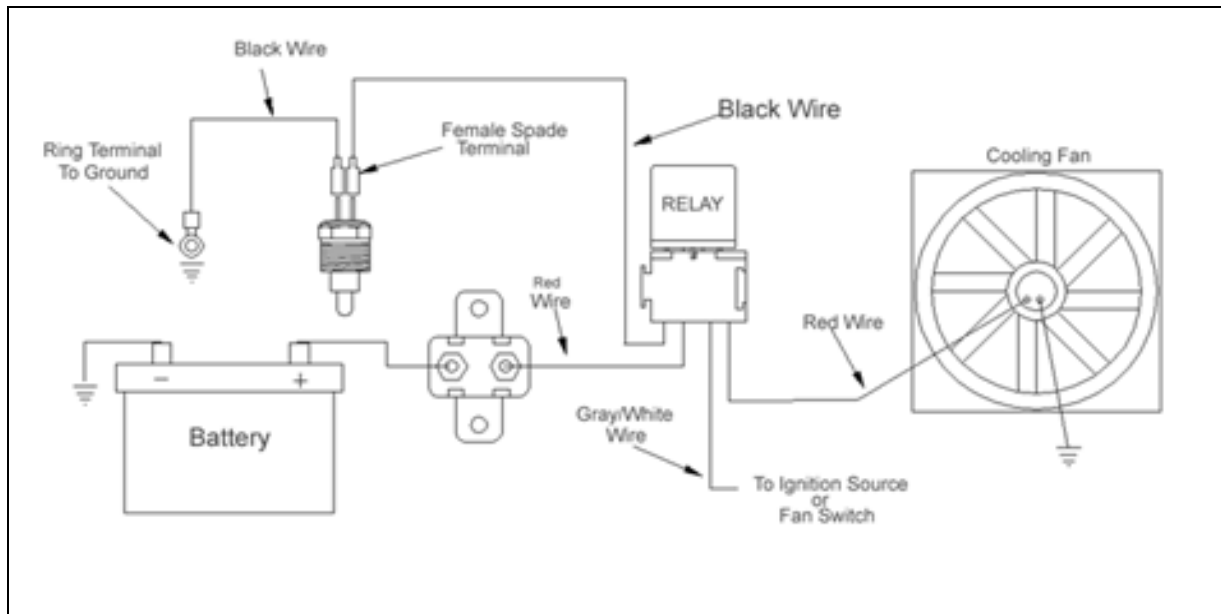


Figure 8-3 Typical Fan Relay Installation (with thermostat) (Painless Part # 30102/30103)



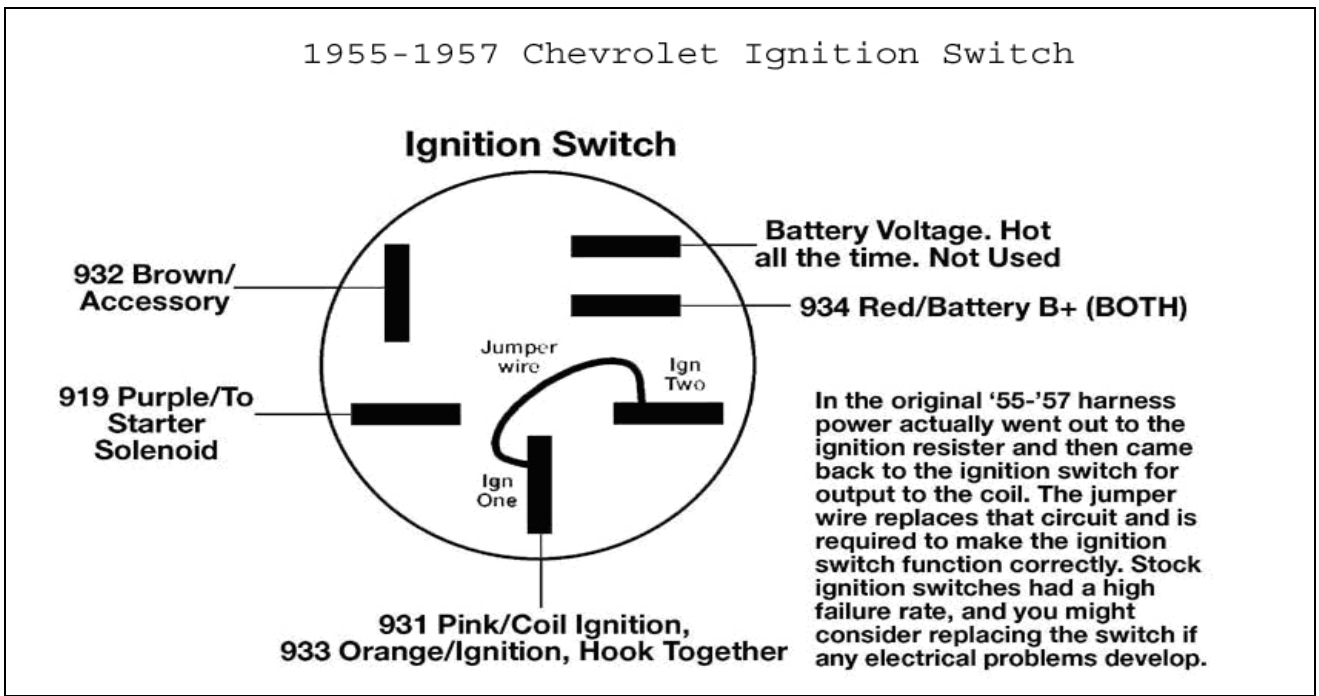


Figure 9.1 1955-1957 Chevrolet Ignition Switch

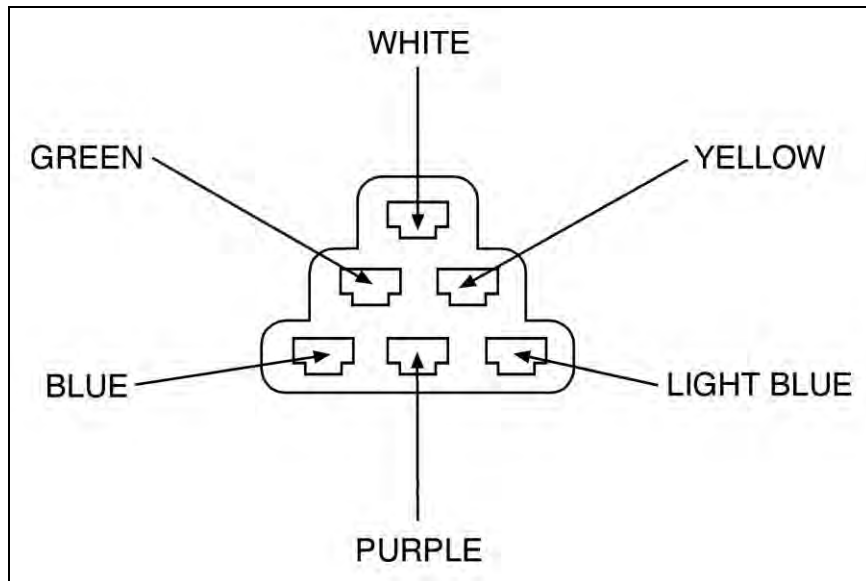


Figure 9.2 Chevrolet Turn Signal Connection (Factory Style Connector)

## 9.0 Steering Column Turn Signal Wiring

- 9.1 In the parts box, there is a special turn signal switch connector housing, along with 6 terminals for connecting the harness to the factory signal switch. See **Figure 9.2** for wire pinout diagram, and **Table 9.3** for the wire # and circuit designation.

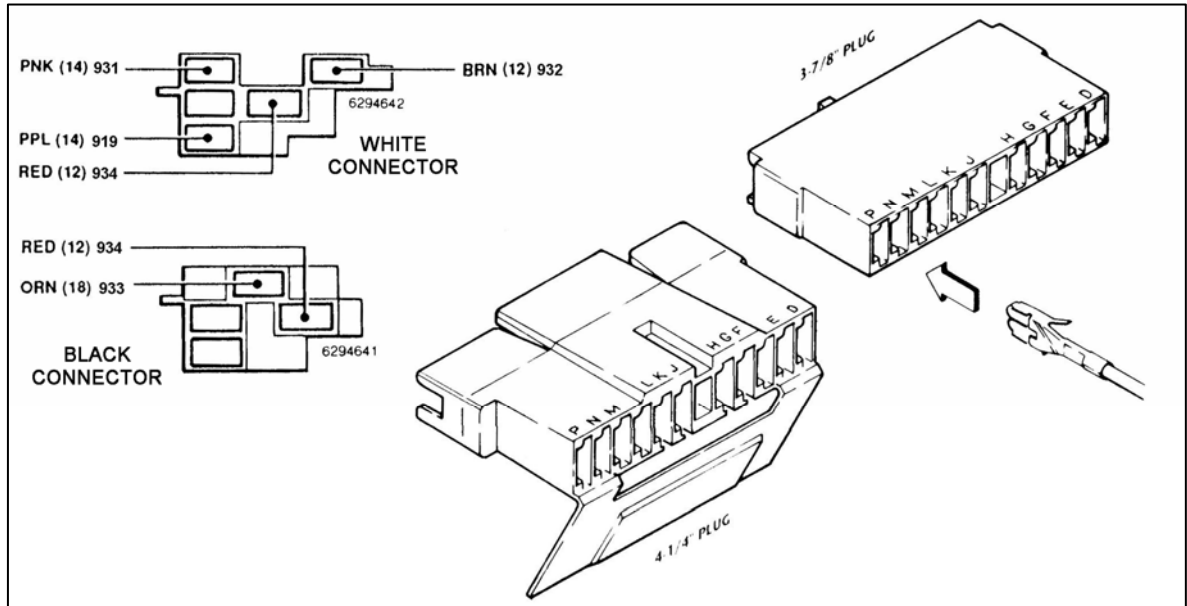
GM Color	Designation	Painless Wire No.	Painless Color
Lt. Blu	LF Turn Signal	926	Lt. Blu
Dk. Blu	RF Turn Signal	925	Dk. Blu
Pur	Turn Flasher	952	Pur
Ylw	LR Turn Signal	949	Ylw
Grn	RR Turn Signal	948	Grn
Wht	Stop Lamp Switch	918	Wht

Table 9.1 Chevrolet Turn Signal Wiring (factory column)

9.2 There are two different plugs on aftermarket tilt columns. The difference is in the length of the male plug that is mounted ON THE COLUMN. One plug is 3-7/8" (3.875") long and the other is 4-1/4" (4.250"). This is only a difference of 3/8" (0.375"), so measure the plug carefully. The Wire Harness Kit has included two different female connectors to mate with the column-mounted plug. See **Figure 9-3** to determine which female connector is correct for your automobile.

In the TURN SIGNAL SECTION, cut wires to length and install the terminals provided. Choose the proper plug and install the terminals according to **Table 9-2**, as shown in **Figure 9-3**. The GM wire color codes have been included for reference. **Note:** The terminals will only insert into the connector **ONE WAY**, as shown in **Figure 9-3**. Make certain you are inserting the wire into the **CORRECT LOCATION** as the terminals are difficult if not impossible to remove once inserted.

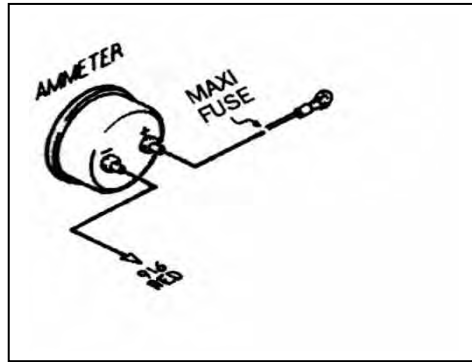
In the case of a column mounted ignition switch, you will need to obtain a conversion kit (**Painless part # 30806**) to make the connection into the ignition switch with factory style connectors



**Figure 9-3** GM Ignition and Turn Signal Connectors (Aftermarket Column)

<b>TURN SIGNAL SECTION</b>				
<b>GM Color</b>	<b>Designation</b>	<b>Painless Wire No.</b>	<b>Painless Color</b>	<b>Turn Signal Connector</b>
Blk	Horn	953	Blk	G
Lt.Blu	LF Turn Signal	926	Lt.Blu	H
Dk.Blu	RF Turn Signal	925	Dk.Blu	J
Brn	Hazard Flasher	951	Brn	K
Pur	Turn Flasher	952	Pur	L
Ylw	LR Turn Signal	949	Ylw	M
Grn	RR Turn Signal	948	Grn	N
Wht	Stop Lamp Switch	918	Wht	P
<b>IGNITION SWITCH SECTION</b>		<b>Painless Wire No.</b>	<b>Painless Color</b>	
Pur/Wht	Ignition Start	919	Pur	
Pnk	Ignition Coil	931	Pnk	
Brn	Accessory Fuse Panel	932	Brn	
Orn	Ignition Switched Fuse Panel	933	Orn	
Red*	Battery B+	934	Red	
Red*	Battery B+	934	Red	

**Table 9-2** GM Ignition & Turn Signal Wiring (Aftermarket Style Column)



**Figure 10-1** Ammeter & Maxi Fuse

**10.0 Connecting an Ammeter and the Maxi Fuse. See Figure 10-2.**

- 10.1.1** Most, but not all Ammeters must be inserted IN SERIES onto the ENGINE SECTION (single) 10-gauge wire #916 (red) that routes from the Fuse Panel to the Starter Solenoid on GM (**Section 7.6**)
- 10.1.2** The overall physical length of this circuit should be as short as possible (allow some slack, however). You may have to cut wire #916 and you may have to add some additional length of 10-gauge wire. USE ONLY 10-GAUGE WIRE OR LARGER.
- 10.1.3** Route wire #916 (from the Fuse Panel) and connect to the Ammeter NEGATIVE terminal. To complete the installation, follow ONE of the next three (3) paragraphs, as appropriate.
- 10.1.4** With a stock GM starter, route the remainder of wire #916 from the Ammeter POSITIVE terminal to the Maxi Fuse terminal. Connect the other side of the Maxi Fuse (**Figure 7-6**) to the Starter Solenoid Battery (B+) terminal.

**CAUTION:** BOTH AMMETER TERMINALS MUST ABSOLUTELY BE ISOLATED FROM GROUND. IF EITHER AMMETER TERMINAL COMES IN CONTACT WITH GROUND A HARNESS FIRE IS INEVITABLE. USE EXTREME CARE AND DILIGENCE IN CONNECTING AMMETERS.

**CAUTION:** BE SURE YOUR AMMETER'S CURRENT (AMPS) RATING EXCEEDS THE CURRENT OUTPUT OF YOUR ALTERNATOR. PERFECT PERFORMANCE PRODUCTS, LLC DOES NOT RECOMMEND USING ANY AMMETER RATED AT LESS THAN 65 AMPS. DO NOT USE AN AMMETER WITH ANY HIGH OUTPUT ALTERNATOR (MORE THAN 45AMPS).

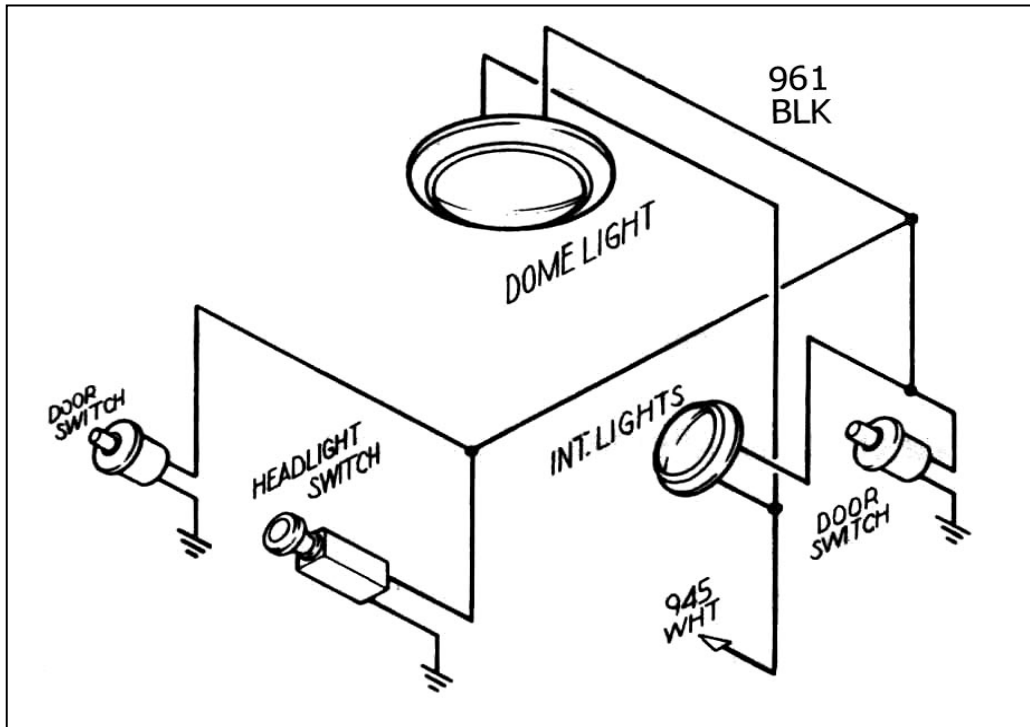


Figure 11-1 Interior Lighting (GM Style Jamb Switch – Painless Part #80170)

11.0 Interior Lighting. See Figure 11-1

- 11.1 Interior Lights are switched through the door switches and the dash-mounted headlight switch, which is usually rotated counter-clockwise to turn on. These switches apply ground to the circuit. YOU WILL NEED TO SUPPLY THESE GROUND WIRES. 12V is continually present at the light bulbs. See Figure 11-1.
- 11.2 If possible leave your existing interior light wiring intact. The Painless harness supplies the 12V feed (B+) to the circuit via TAIL SECTION wire #945 (wht) and a ground via TAIL SECTION wire #961 (blk).

12.0 HEADLIGHT SECTION B Wiring.

- 12.1 Connect the 6 wires of HEADLIGHT SECTION B, the Dome and Interior Light return circuit as shown in either Figure 10-3 or Figure 10-3A. Match your switch to the figures as shown below.

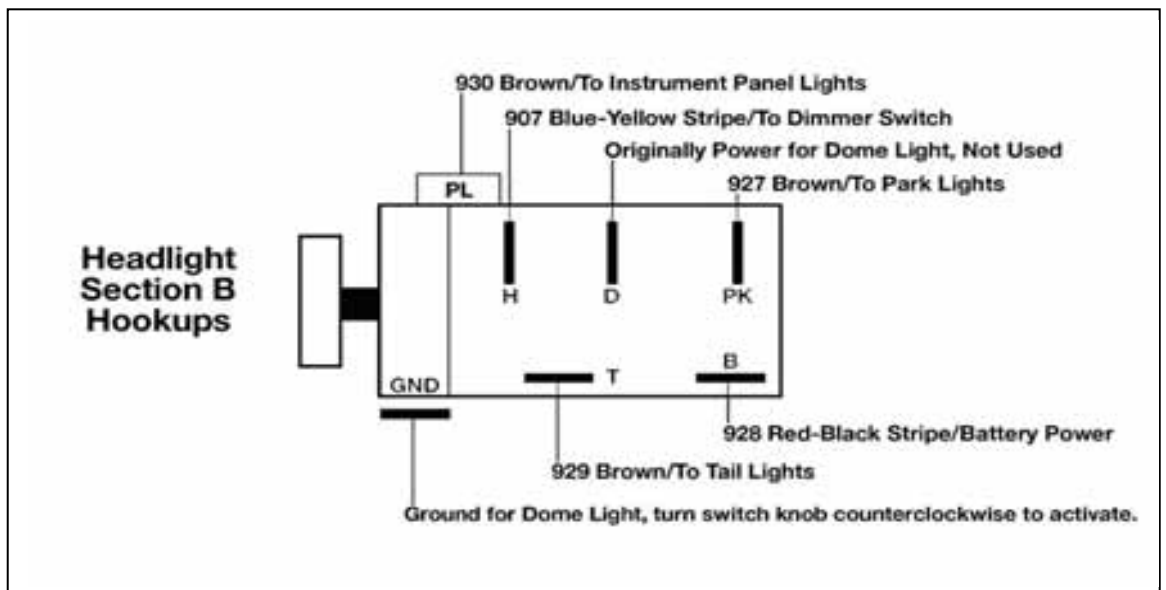


Figure 12-1 HEADLIGHT SECTION B Wiring

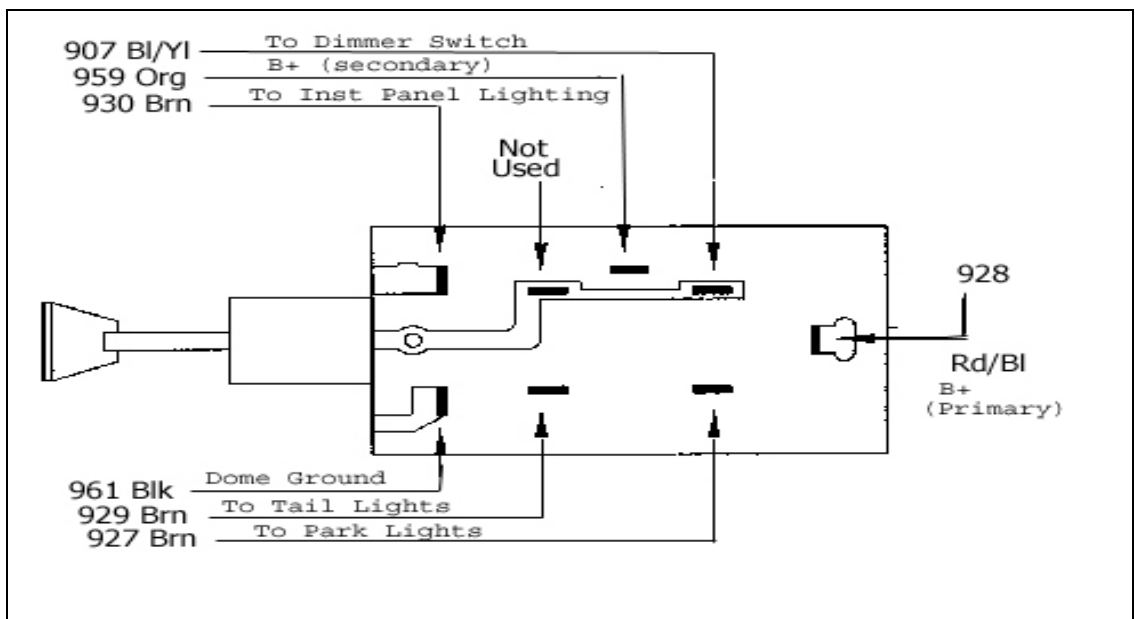


Figure 12-2 Headlight Section B 1957 Chevrolet Switch (Some Applications).

- 12.2 Connect the #'s 907,908 and 909 wires to the floor-mounted Dimmer Switch or column-mounted Dimmer Switch as shown in Figure 12-3

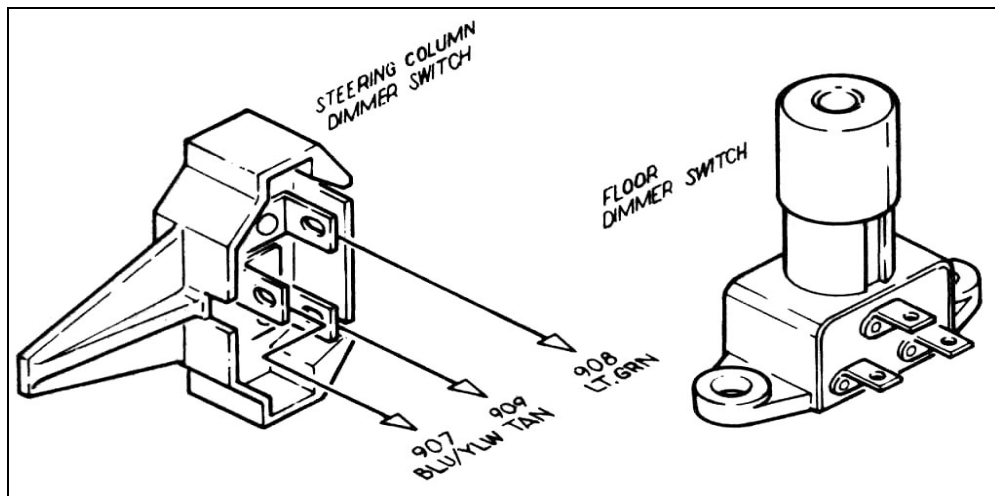


Figure 12-3 Dimmer Switches (Push Button Style – Painless Part #80150)

### 13.0 Instrument Panel Wiring

- 13.1 Connect the wires of the INSTRUMENT PANEL SECTION as indicated in Table 16-2. For Aftermarket gauges, Refer to the basic illustration on pg.23. Insulate and stow any wires you do not use.
- 13.2 Connect a jumper from wire #935 (red/wht) to all Gauges' power or "I" terminals. Included in this kit are the special terminals for the dash illumination and indicator lights. After routing the wires and cutting them to length, Crimp on the provided terminals and snap on the original plastic covers. The terminals will then just push on the pin studs of the factory lights. Connect a jumper to all the Gauges' ground terminals, and attach to a good chassis ground

### 14.0 Brake Light Switch

- 14.1 Connect wires #917 (orn) and #918 (wht) to the Brake Light Switch These wires are in ENGINE SECTION A Check your application, as they might need to be re-routed depending on the location of your brake light switch.
- 14.2 The Third Brake Light wire is pre-connected on the Switch end. Connect TAIL SECTION wire #950 (orn) to the Third Brake Light if applicable. If not using a third brake light, cap & stow the #950 wire.

## 15.0 Tail Section Wiring

- 15.1** Connect the wires of the TAIL and TURN SIGNAL SECTIONS as indicated in **Table 11-2** with the exception of #918 (wht), #948 (grn), #949 (ylw) and #950 (orn).
- 15.2** These 4 wires will be connected according to one of the diagrams shown in **BELOW**. Which diagram you will use depends on whether or not you have one bulb on each side of the vehicle that is for the brake/tail and Turn Signal Lights (this is referred to as integrated lights) or you have more than one bulb on each side and the Brake and Turn Signal Lights are hooked to different bulbs (referred to as separate Brake/Turn Lights).

**Note A:** *If you have Integrated Brake Lights you must use bulbs that have two (2) filaments in them such as in an 1157 bulb.*

**Note B:** *The three wires shown in these diagrams are connected to the "brighter" of the two filaments when using a two-filament bulb (the Tail Lights are usually connected to the "Dimmer" filament). The Tail Lights, License Plate Lights, Reverse Lights, etc. are not shown on the diagrams for clarity.*

**Note C:** *In the separate Brake Light diagram the arrangement shown is only one of several ways to wire a vehicle. The important thing is that the Brake and Turn Signal Lights use completely separate bulbs.*

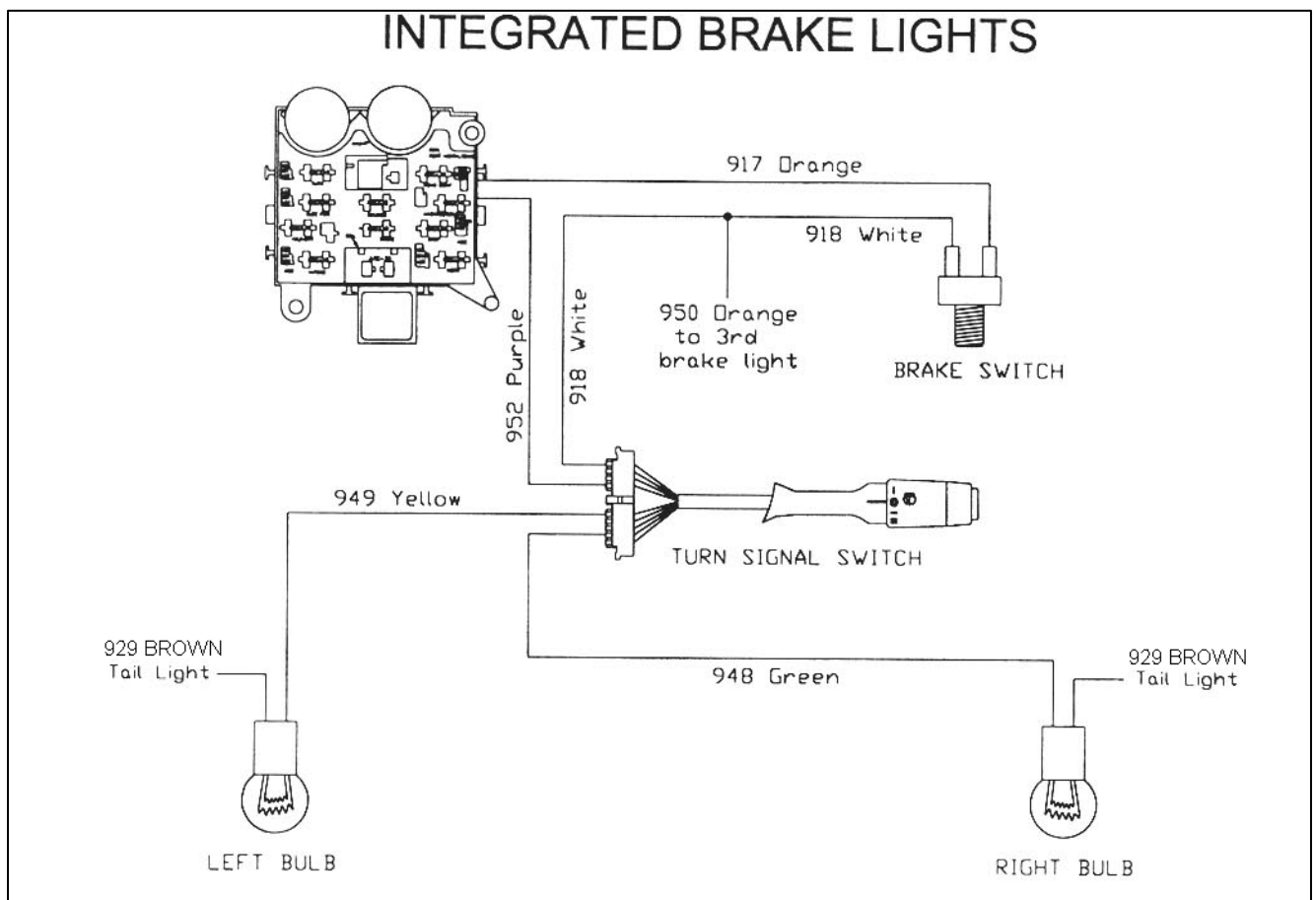
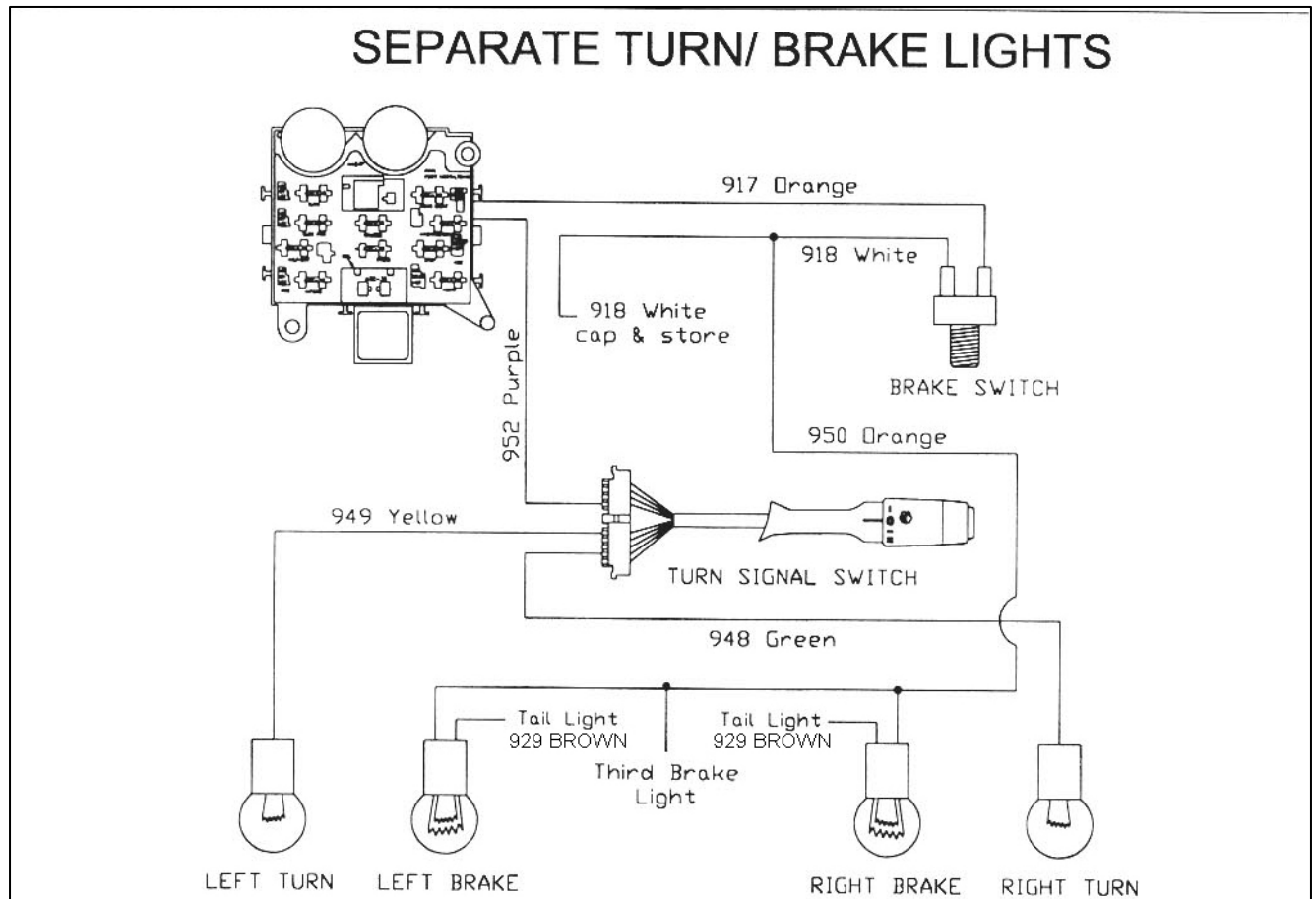


Figure 15-1 Integrated Brake Lights



**Figure 15-2** Separate Turn/Brake Lights

- 15.3 When you have Integrated Brake Lights on your vehicle the Turn Signal switch acts as a brain to control when the Lights in the rear are on constantly (braking) or flashing (turning) or a combination of both. **The Turn Signal switch you use must be built to do this! If you are using a steering column out of a salvage yard that was originally in a vehicle that had separate Brake Lights then the switch will not work for Integrated Brake Lights.**
- 15.4 Almost all light bulbs get the ground they need through the socket housing. If you mount your socket housing into anything other than a grounded metal part then you will need to provide a separate ground wire.
- 15.5 If you are using Halogen brake/tail light bulbs a relay kit (Painless 30105) **MUST** be used to prevent damage to your turn signal & brake light switch

## 16.0 WIRE CONNECTION INDEX AND FUSE REQUIREMENTS

### 16.1 Wire Connection Index

In each section, connect the wire, as identified by its wire color, to the appropriate item in the CONNECT TO column. Pay close attention to the **Notes** in this section, as identified by a small, raised number such as the one at the end of this sentence. ❶

**Table 11-2** is divided into sections that correspond to the sections of your wire harness. (ACCESSORY SECTION B+, DIMMER SWITCH SECTION, etc.). The index is divided vertically into six columns. COLOR, GAUGE, NUMBER, CONNECT TO, ORIGIN, and SECTION OF ORIGIN.

The columns labeled ORIGIN and SECTION OF ORIGIN are for your reference ONLY. The items in these columns tell you where each wire originates (ORIGIN) and from which section (SECTION OF ORIGIN) of the harness.

The column labeled NO. contains a 900-series number that is used to identify various wires in the wiring diagrams that are a part of these instructions.

Many (but not all) of the wire numbers occur TWICE in this index. That is because you will be connecting BOTH ENDS of many of the particular wire segments. However, some wire segments are pre-connected at one end. For instance, all wires originating from the fuse panel and certain other wires such as those originating from the fuse panel and certain other wires such as those originating from the horn relay, the dimmer switch, and the instrument panel section. **These pre-connected wires are identified by an asterisk (\*) in the ORIGIN column.**

### 16.2 Fuse Requirements

Cigarette Lighter.....	20
Headlight Switch.....	30
Emergency Flashers.....	15
Turn Signals.....	15
Gauges.....	10
AC/Heat Relay.....	5
Radio (Constant).....	10
Horn.....	20
Door Lock.....	20
Wipers.....	15
Brake Switch.....	20
Dome/Trunk.....	10
Electric Fan Relay.....	5
Power Antenna.....	10
Power Windows.....	20
Electric Fuel Pump.....	15
Coil.....	30
Radio Ignition (Switched).....	10
Backup/Cruise Control.....	10

**Table 16-1** Fuse Requirements



Color	Ga.	No.	Connect to	Wire Starting Point	Section of Starting Point
<b>ACCESSORY SECTION SWITCHES</b>					
Gry/Wht	18	901	Cooling Fan Switch	Fan Relay	Headlight Section A
Blk/Wht	14	902	AC/Heat Switch	A/C Compressor	Engine Section A
<b>ACCESSORY SECTION B+</b>					
Tan <sup>1</sup>	14	903	Cigarette Lighter B+	Fuse Panel*	Fuse Panel
Blk/Wht	14	904	AC/Heat Switch B+	Fuse Panel*	Fuse Panel
Blu	16	905	Wiper Switch B+	Fuse Panel*	Fuse Panel
Gry/Wht	18	906	Cooling Fan Switch B+	Fuse Panel*	Fuse Panel
<b>DIMMER SWITCH SECTION</b>					
Blu/Ylw	14	907	Dimmer Switch	Headlight Switch	Headlight Section B
Lt.Grn	14	908	Dimmer Switch	High Beam	Headlight Section A
Tan	14	909	Dimmer Switch	Low Beam	Headlight Section A
<b>DOOR SECTION A</b>					
Ylw/Blk <sup>1</sup>	14	910	Right Door Lock B+	Fuse Panel*	Fuse Panel
Ylw <sup>1</sup>	14	911	Right Power Window B+	Fuse Panel*	Fuse Panel
<b>DOOR SECTION B</b>					
Ylw/Blk <sup>1</sup>	14	912	Left Door Lock B+	Fuse Panel*	Fuse Panel
Ylw <sup>1</sup>	14	913	Left Power Window B+	Fuse Panel*	Fuse Panel
<b>ENGINE SECTION</b>					
Wht	14	914	Alternator Exciter	Fuse Panel*	Fuse Panel
Red	10	915	Alternator B+	Fuse Panel*	Fuse Panel
Blk/Wht	14	902	A/C Compressor	A/C Central Switch	Accy. Section Switches
<b>ENGINE SECTION (SINGLE WIRE)</b>					
Red <sup>3</sup>	10	916	Battery Positive or Starter Solenoid (Large Terminal)	Fuse Panel*	Fuse Panel
<b>ENGINE SECTION A</b>					
Orn <sup>4</sup>	14	917	Brake Switch B+	Fuse Panel*	Fuse Panel
Wht	16	918	Brake Switch	Turn Signal Switch	Turn Signal Section
Pur	12	919	Start Solenoid ("S" Terminal)	Ignition Switch Start	Ignition Switch Section
Pnk	14	920	Coil B+	Fuse Panel*	Fuse Panel
Lt.Grn	18	921	Temperature Sending Unit	Temperature Gauge	Instrument Panel Section
Lt.Blu/Blk	18	922	Oil Pressure Sending Unit	Oil Pressure Gauge	Instrument Panel Section
Pur/Wht	18	923	Tachometer Source	Tachometer	Instrument Panel Section
Red	18	954	Electric Choke	Fuse Panel*	Fuse Panel
<b>HEADLIGHT SECTION A</b>					
Grn	14	924	Horn B+	Horn Relay*	Fuse Panel
Blu	18	925	Right Front Turn Signal	Turn Signal Switch	Turn Signal Section
Lt.Blu	18	926	Left Front Turn Signal	Turn Signal Switch	Turn Signal Section
Brn	18	927	Park Lights	Headlight Switch	Headlight Switch Section
Lt.Grn	16	908	High Beam	Dimmer Switch	Dimmer Switch Section
Tan	16	909	Low Beam	Dimmer Switch	Dimmer Switch Section
Gry/Wht	18	901	Fan Relay	Fan Switch	Accessory Section Switches

Table 16-2 Wire Connection Index, 1 of 3

Color	Ga.	No.	Connect to	Wire Starting Point	Section of Starting Point
<b>HEADLIGHT SECTION B</b>					
Red/Blk <sup>8</sup>	12	928	Headlight Switch B+	Fuse Panel*	Fuse Panel
Blu/Ylw	14	907	Headlight Switch	Dimmer Switch	Dimmer Switch Section
Brn	14	929	Headlight Switch	Tail Lights	Tail Section
Brn	18	927	Headlight Switch	Park Lights	Headlight Section A
Brn <sup>6</sup>	18	930	Headlight Switch	Instr. Panel Lighting	Instrument Panel Section
Orn <sup>9</sup>	14	959	Headlight Switch B+	Fuse Panel*	Fuse Panel
<b>IGNITION SWITCH SECTION</b>					
Pnk	14	931	Ignition Switch (Coil Ignition)	Fuse Panel*	Fuse Panel
Brn	12	932	Ignition Switch Accessory	Fuse Panel*	Fuse Panel
Orn	12	933	Ignition Switch Ignition	Fuse Panel*	Fuse Panel
Red <sup>7</sup>	12	934	Ignition Switch B+	Fuse Panel*	Fuse Panel
Pur	12	919	Ignition Switch Start	Starter Solenoid	Engine Section A
<b>INSTRUMENT PANEL SECTION</b>					
Red/Wht	18	935	Voltmeter Source & Gauges B+	Fuse Panel*	Fuse Panel
Grn	18	936	High Beam Indicator	Dimmer Switch*	Dimmer Switch Section
Lt. Blu	18	937	Left Turn Indicator	Left Front Turn Signal*	Turn Signal Section
Blu	18	938	Right Turn Indicator	Right Front Turn Sig.*	Turn Signal Section
Brn	18	930	Instrument Panel Lighting	Headlight Switch	Headlight Section B
Pnk	18	939	Fuel Gauge	Fuel Sending Unit	Tail Section
Lt. Grn	18	921	Temperature Gauge	Temp. Sending Unit	Engine Section A
Lt. Blu/Blk	18	922	Oil Pressure Gauge	Oil Pres. Sending Unit	Engine Section A
Pur/Wht	18	923	Tachometer	Tachometer Source	Engine Section A
Orn/Blk	18	955	Accessory Power (Switched)	Fuse Panel*	Fuse Panel
<b>RADIO SECTION</b>					
Red	18	940	Radio B+ Unswitched (Constant)	Fuse Panel*	Fuse Panel
Red/Blk	18	941	Radio B+ Switched	Fuse Panel*	Fuse Panel
Pur/Blk	18	942	Radio: Power Antenna	Power Antenna	Tail Section
Clear <sup>1,5</sup>	20	943	Radio Right Rear Speaker Out	Right Rear Speaker	Speaker Section
Clear <sup>1,5</sup>	20	944	Radio Left Rear Speaker Out	Left Rear Speaker	Speaker Section
<b>SPEAKER SECTION</b>					
Clear <sup>1,5</sup>	20	943	Right Rear Speaker	Radio R. Rear Spkr.Out	Radio Section
Clear <sup>1,5</sup>	20	944	Left Rear Speaker	Radio L. Rear Spkr.Out	Radio Section
<b>TAIL SECTION</b>					
Wht	18	945	Dome Lights B+	Fuse Panel*	Fuse Panel
Grn/Blk <sup>1</sup>	16	946	Trunk Accessory Light B+	Fuse Panel*	Fuse Panel
Ylw/Wht <sup>1</sup>	14	947	Electric Fuel Pump B+	Fuse Panel*	Fuse Panel
Grn	14	948	Right Rear Turn Signal	Turn Signal Switch	Turn Signal Section
Ylw	14	949	Left Rear Turn Signal	Turn Signal Switch	Turn Signal Section
Pnk	18	939	Fuel Sending Unit	Fuel Gauge	Instrument Panel Section
Brn	14	929	Tail Lights	Headlight Switch	Headlight Section B
Pur/Blk <sup>1</sup>	18	942	Power Antenna	Radio: Power Antenna	Radio Section
Orn	18	950	Third Brake Light	Turn Signal Switch*	Turn Signal Section
Lt. Grn <sup>1</sup>	18	956	Backup Lights	Backup Switch	Cruise Control Section
Blk	18	961	Dome Light Ground	Interior Light Harness	Near Fuse Panel

**Table 16-2** Wire Connection Index, 2 of 3

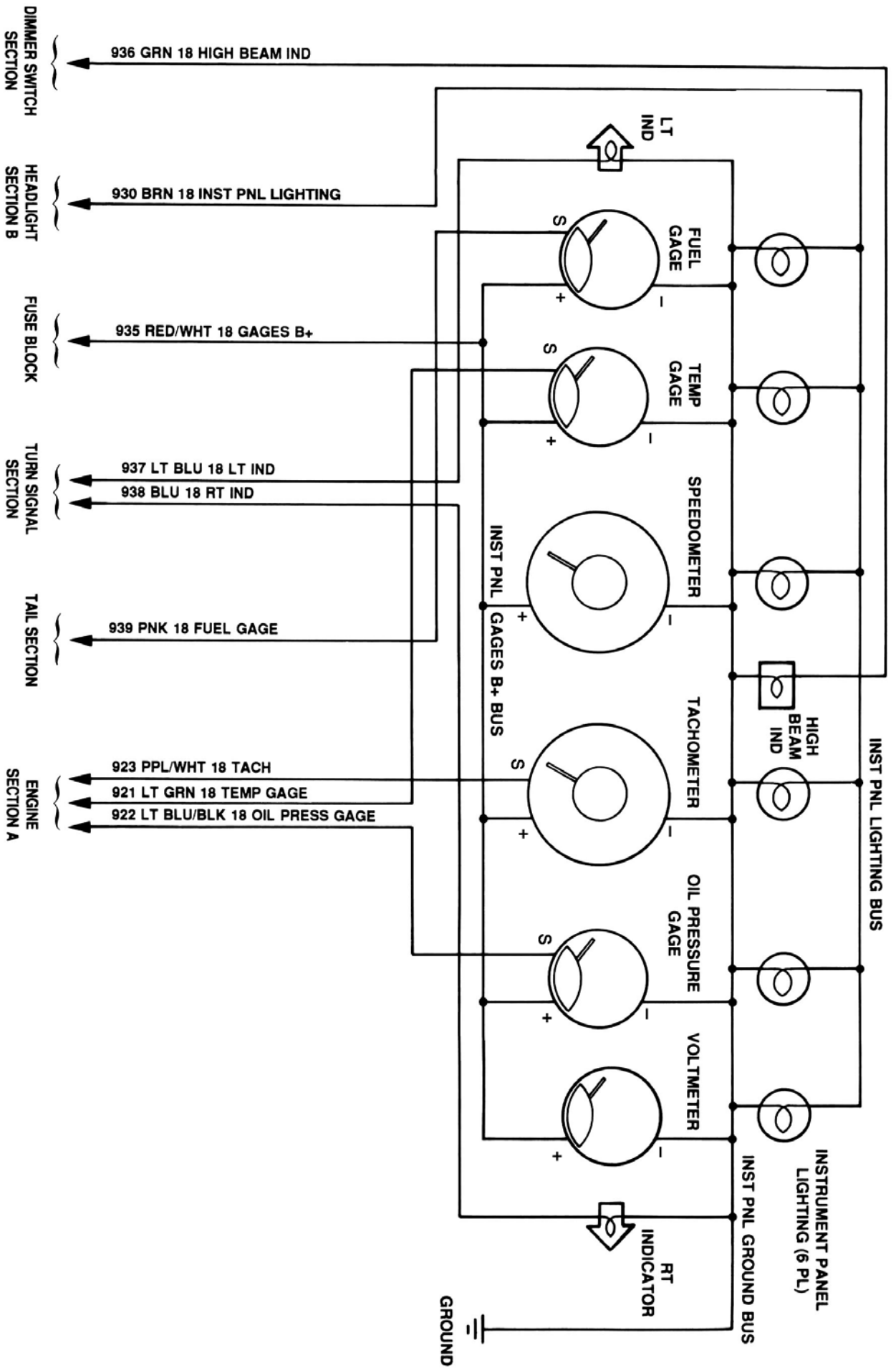
TURN SIGNAL SECTION					
Brn	14	951	Emergency Flasher Switch B+	Emer. Flasher Relay*	Fuse Panel
Pur	14	952	Turn Signal Switch Flasher B+	Turn Flasher Relay*	Fuse Panel
Blk	18	953	Horn Switch	Horn Relay*	Fuse Panel
Grn	14	948	Turn Signal Switch	Right Rear Turn Signal	Tail Section
Ylw	14	949	Turn Signal Switch	Left Rear Turn Signal	Tail Section
Blu	18	925	Turn Signal Switch	Right Front Turn Signal	Headlight Section A
Wht	16	918	Turn Signal Switch	Brake Switch	Engine Section A
Lt.Blu	18	926	Turn Signal Switch	Left Front Turn Signal	Headlight Section A
CRUISE CONTROL SECTION					
Pnk <sup>1</sup>	18	957	Cruise Control Switch	Fuse Panel*	Fuse Panel
Lt.Gr <sup>1</sup>	18	958	Backup Switch	Fuse Panel*	Fuse Panel
Lt.Gr <sup>1</sup>	18	956	Backup Switch	Backup Lights	Tail Section

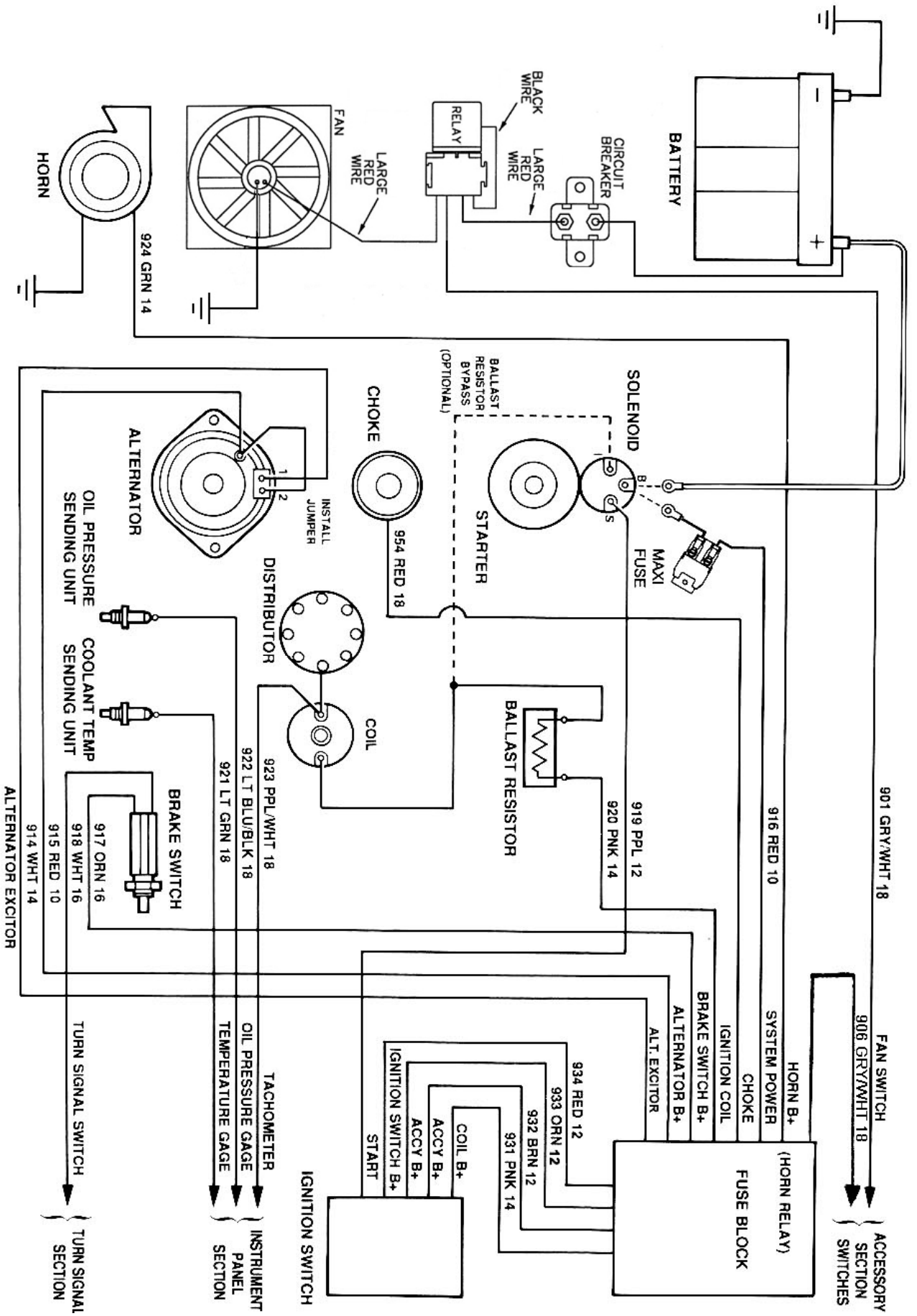
**Table 16-2** Wire Connection Index, 3 of 3

**NOTES:**

1. Depending upon the particular wire harness you purchased, you may not have some of these wires.
2. 2-color wires: 2<sup>nd</sup> color (stripe) may not be intense color. Observe two-color wires closely.
3. This section consists of only one large (10 gauge) wire.
4. From fuse panel to brake switch.
5. These are two (2) wires, bonded together. One wire is Speaker POSITIVE (+) and the other wire is Speaker NEGATIVE (-).
6. This wire needs to go from the headlight switch to the instrument panel lights.
7. There are two (2) Red 934 wires that **MUST** both be connected to the "Batt" terminal of the ignition switch. These wires supply all of the ignition switched power that goes to the fuse panel and both are needed because of the amount of power required to power all of the accessories.
8. This wire is power for the portion of the headlight switch that goes out to the headlights and front parking lights.
9. This wire is power for the portion of the headlight switch that goes out to the instrument panel lights and the tail lights. **NOTE: This wire is only used if your headlight switch has two power input terminals.**

# INSTRUMENT PANEL SECTION WIRING





## **Painless Performance Limited Warranty and Return Policy**

Chassis harnesses, fuel injection harnesses and Striker ColdShot units are covered under a lifetime warranty.

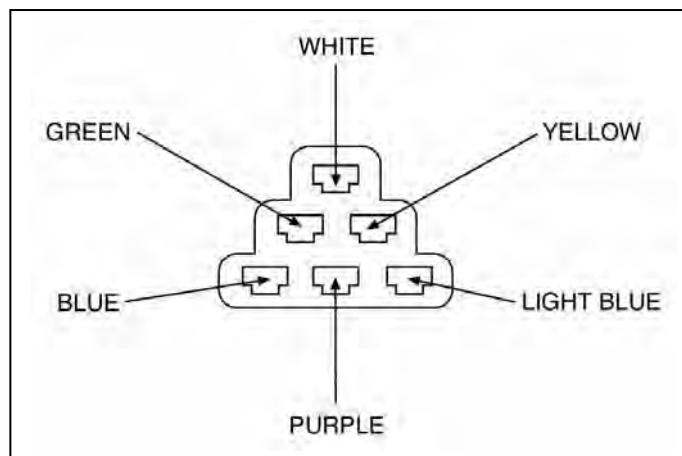
All other products manufactured and/or sold by Painless Performance are warranted to the original purchaser to be free from defects in material and workmanship under normal use. Painless Performance will repair or replace defective products without charge during the first 12 months from the purchase date. No products will be considered for warranty without a copy of the purchase receipt showing the sellers name, address and date of purchase. You must return the product to the dealer you purchased it from to initiate warranty procedures.



2501 Ludelle Street  
 Fort Worth, Texas 76105-1036  
 817-244-6212 Phone • 817-244-4024 Fax  
 888-350-6588 Sales • 800-423-9696 Tech  
 E-mail: [painless@painlessperformance.com](mailto:painless@painlessperformance.com)  
 Web: [www.painlessperformance.com](http://www.painlessperformance.com)

## 20106/20107 SPECIAL INSTRUCTIONS

1. Included in this kit is a special fuse block mounting bracket for mounting the fuse block in the factory location with the original screws.
2. In the parts box we have included 7 special terminals for the dash indicator and illumination lights. After routing the dash wires and cutting them to length, crimp on the provided terminals and snap on the original plastic covers. The terminals will then just push on the pin studs of the lights.
3. In the parts box is a special turn signal switch housing along with 6 terminals for connecting the harness to the signal switch. See the diagram below for wire pinning location. **NOTE:** The wire color code of the harness is late GM.



**1955-57 Turn Switch Connector**

Wire Destination	Painless Color	Original Color
RR Turn Signal	Grn	Pur
LR Turn Signal	Ylw	Pnk
Flasher Circuit	Pur	Ylw
Stop Switch Circuit	Wht	Wht
RF Turn Signal	DkBlu	DkBlu
LF Turn Signal	LtBlu	LtBlu
Horn	Blk	Brn

4. The wires to the ignition switch should be attached as follows; Purple to solenoid terminal, red to battery terminal, pink and orange to ignition 1 terminal and brown to the accessory terminal. **NOTE:** If you are not using the ignition bypass circuit, most people do not any more due to better ignition systems; jump the pink wire between ignition 1 and ignition 2 terminals (tie the two terminals together).

# 1955-1957 Chevy Ignition and Headlight Switches

