

# AIR AID®

## INTAKE SYSTEMS

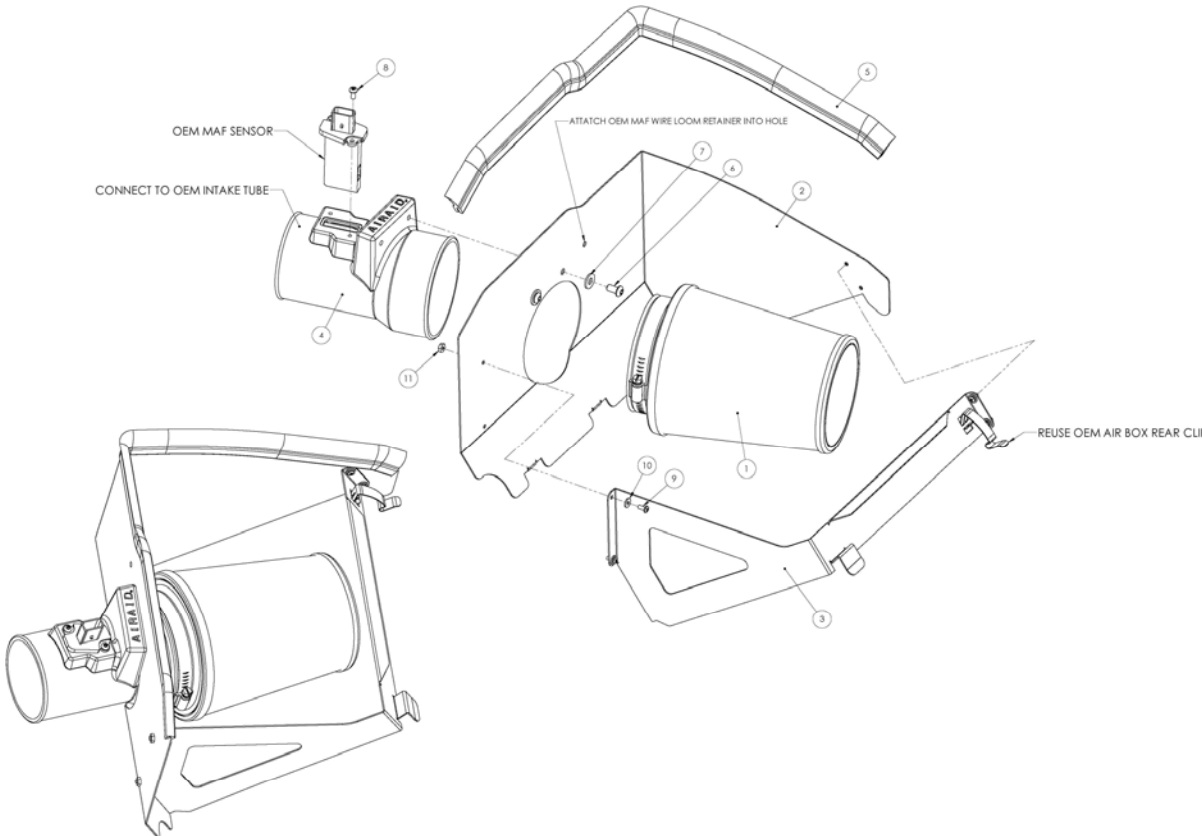
Installation Instructions  
 Part Number 520-188  
 05-06 Nissan Frontier/Pathfinder/  
 Xterra  
 4.0L V-6

### Packing List:

#1	700-458	Airaid Premium Filter	1
#2	KIT188MAFPC	MAF Panel	1
#3	KIT152FPC	Front Panel	1
#4	KIT152A	MAF Adapter	1
#5	KITWSTRIP02	Weather Strip 25"	1
	KIT188HP	Hardware & Instructions	1
#6	KIT15DHC3050	1/4"-20 Button Head Bolt	2
#7	KIT09FWZ019	1/4" Flat Washer	2
#8	KIT15BHC3038	8-32x3/8" Button Head Bolt	2
#9	KIT6C31MXPZ	6-32x5/16" Screw	4
#10	KIT6NWSAPZ	#6 Flat Washer	4
#11	KIT6CNKEPZ	6-32 Keps Nut	4

### Tools Required For Installation:

5/32" Allen Wrench & 3/32" Allen Wrench  
 5/16" & 10mm Socket  
 Ratchet & Extension  
 Phillips Head Screw Driver  
 Pliers



1. **Disconnect negative battery cable.**  
 Unhook two latches on the factory airbox.



2. Loosen the hose clamp on factory airbox neck.



3. Using pliers, carefully squeeze the two tabs together, and remove the wire loom retainer from the factory airbox lid.



4. Remove the two screws that hold the Mass Air Flow sensor.



5. **Without** disconnecting the MAF sensor, remove it from the factory airbox lid, and set it aside. **It is important** to note the direction of the MAF sensor when removed, as to assure correct reinstallation later in the install process. **The MAF sensor must be installed in the correct direction for proper air flow calibration.**



6. Remove the factory airbox lid.



7. Remove the factory air filter.

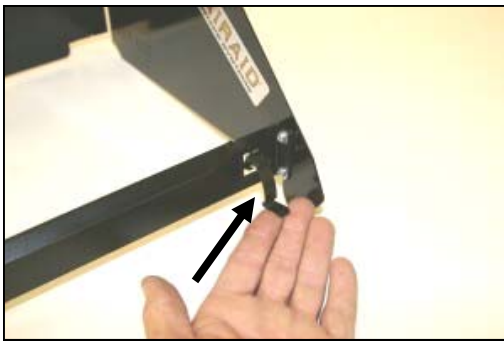


8. Very carefully remove the rear clip from the factory airbox.

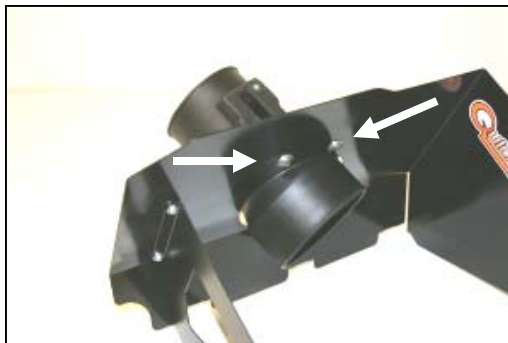


9. Assemble the Quick Fit Panels (#2&3) as shown, using the four supplied screws (#9), washers (#10), and nuts (#11).

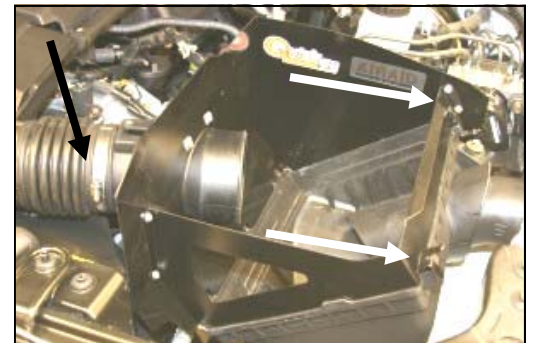




**10.** Reinstall the factory clip that was removed in step #8 onto the front panel of the Quick Fit Panel as shown.



**11.** Install the MAF adapter (#4) into the Quick Fit Panel using two 1/4"x20 button head bolts (#6) and washers (#7).



**12.** Install the MAF adapter into the factory intake tube, and at the same time slide the three tabs on the back of the Quick Fit Panel into the three slots on the factory airbox base. Adjust for fit, then snap the two factory clips to secure the panel. Next tighten the hose clamp where the factory tube slides over the MAF adapter.



**13.** Install the MAF sensor from step #5 into the MAF adapter. Use the two supplied button head bolts (#8), to securely fasten the MAF. **Do Not Use The Factory Screws!** Next push and snap the wire loom retainer from Step #3 into the hole in the MAF panel.



**14.** Install the Airaid Premium Filter (#1) on the MAF adapter and tighten the clamp. Next install the weather strip (#5) on top of the Quick Fit Panel as shown. For an easier install, start at the front of the Quick Fit Panel and work your way towards the back.

**15. Double check your work!** Make sure there is no foreign material in the intake path. Make sure all clamps, hoses, bolts, and screws are tight.

**16. Reconnect the negative battery cable!**

**Before!**



**After!**



Thank you for purchasing the Airaid Intake System. Contact Airaid @ (800) 498-6951 8:00 AM - 5:00 PM MST weekdays for questions regarding fit or instructions that are not clear to you. Your Airaid Intake System was carefully inspected and packaged. Check that no parts are missing, or were damaged during shipping. If any parts are missing, contact Airaid. The air filter element is protected from direct exposure to water and debris; care should be taken not to drive through deep water. WATER INGESTION IS THE DRIVERS RESPONSIBILITY! The air filter is reusable and should be cleaned using the Airaid Filter Tune-Up Kit periodically.

**Don't Forget Your AIRAID Filter Tune-Up Kit!**



P/N 790-551 Aerosol Spray  
P/N 790-550 Squeeze Spray

Instructions Revision  
Date: 10/03/05