

Installation instructions

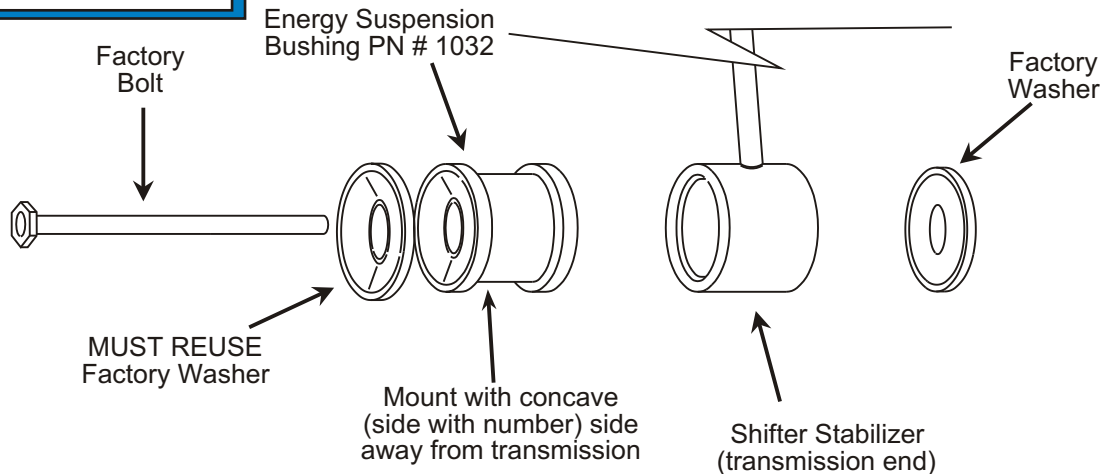
For set # 16.1101 & 16.1102

© 2003 Energy Suspension. All rights reserved.
May not be reproduced, in any form, or by any means,
without the written consent of Energy Suspension.

It is recommended that if you are unfamiliar with this type of work that you refer to a qualified service center specializing in this type of work. It is also recommended that if you choose to do this work yourself that a factory service manual be obtained for the proper procedures pertaining to removal, replacement and proper torque specifications for your vehicle. This instruction set is intended as a guideline for the safe installation of Energy Suspension's polyurethane bushings, once you have removed the factory components from your vehicle.

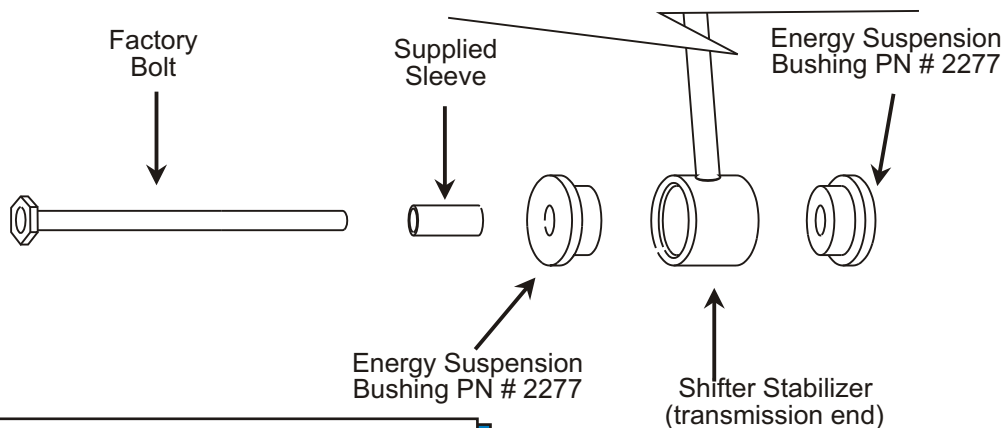
1. Properly support the vehicle on the frame.
2. Under the car next to the shifter assembly there is a bushing holding the shifter assembly to the floorplan of the car. This part is connected by two bolts and looks like the long rectangular part supplied in your kit. You **MUST** reuse the two bolts, the plate that covers the bushing and the two spacers located in the original rubber bushing that you removed. Install the Energy Suspension bushing.
3. Unbolt the end of the transmission shifter stabilizer, the end that is mounted to the transmission. Do not unbolt the shifter linkage. Press out the stock rubber bushing and install the new Energy Suspension bushing. (see diagram below) Note: to remove the rubber bushing a screwdriver inserted into the hole in the bushing or a pair of plyers should be all that is needed.
4. Tighten all fasteners to factory specs.

Set # 16-1101



Must reuse factory hardware

Set # 16-1102



Must reuse factory hardware

17161