

Installation Instructions for Set #5-1105

Read these instructions carefully before installing mounts.

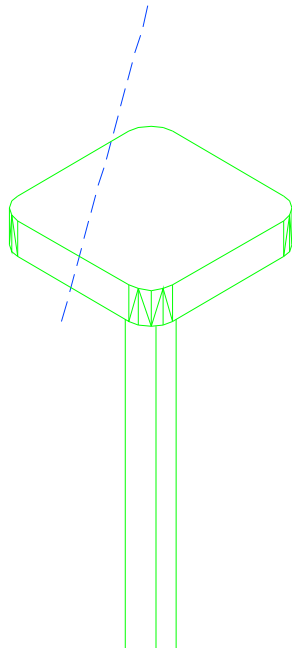
**ENERGY
SUSPENSION®**

1131 VIA CALLEJON, SAN CLEMENTE, CA 92673

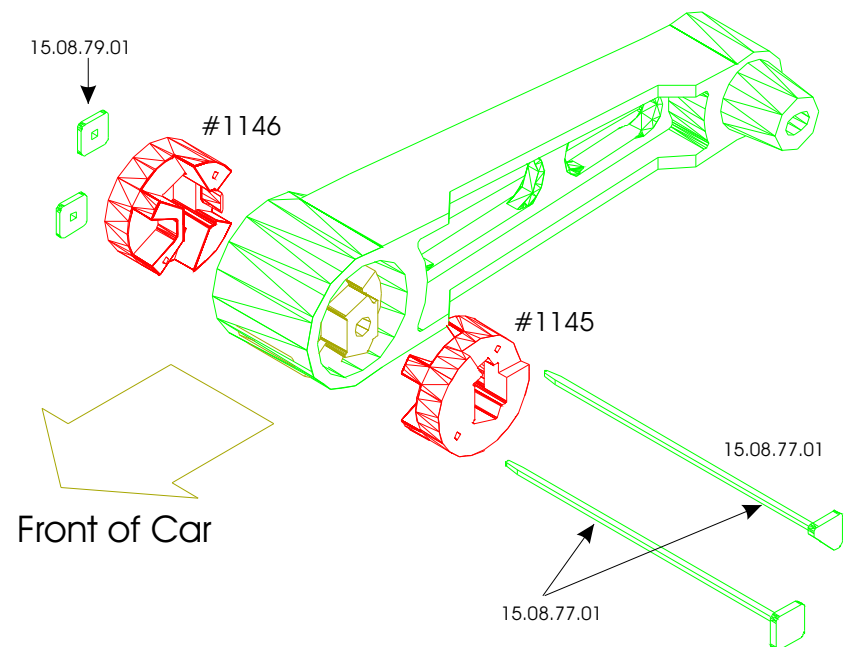
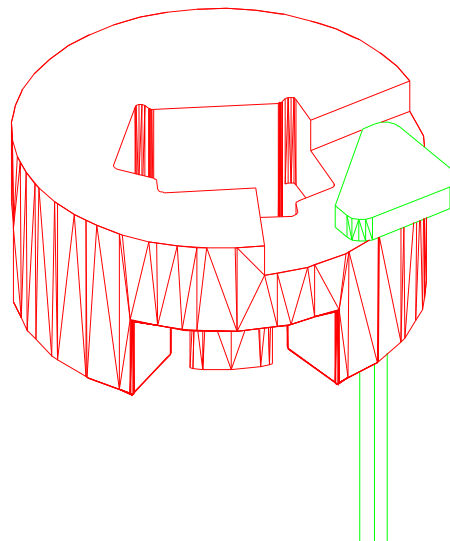
1. Remove lower transmission torque mount front bolt.
2. Loosen rear bolt and tilt torque mount down.
3. Trim off corner of *one* square zip tie as shown below to allow for clearance.
4. Install NEW Energy Suspension® motor mount inserts, noting placement in the diagram below.
5. Install the two square ties and secure snug, but **do not** overtighten; clip off excess tie.
6. Reinstall the transmission torque mount.
7. Tighten all hardware to factory specifications.

17347
3-8-01

Using a pair of dykes, cut the corner of one square tie to allow for clearance.



This is what the tie should look like when it has been properly trimmed.



©2001 Energy Suspension. All rights reserved
May not be reproduced, in any form, or by any means,
without the written consent of Energy Suspension.