



anchor industries



September, 2014

Addressing Stud Sheering Problems on Late Model GM Applications

GM has issued a Tech Service Bulletin (TSB 05-08-61-007A) regarding a clunking noise from the front of the vehicle while driving and/or shifting on a 2000-2005 Cadillac Deville and 2001-2003 Oldsmobile Aurora with the 4.6L engine. This bulletin supersedes TSB 05-08-61-007 and applies to Anchor transmission mount # 3020.

THE ISSUE:

These vehicles may exhibit a clunking noise from the front of the vehicle while driving and/or shifting from Park to Drive, from Park to Reverse, from Drive to Reverse or from Reverse to Drive. This condition is often caused by a deteriorating mount due to high heat from the engine manifold or if the mount was not properly aligned during installation.

THE SOLUTION:

Inspect the mount for signs of wear, compression and aging. Check to see if the mount alignment tab is properly seated in the provided hole of the chassis.

2897 TRANSMISSION MOUNT STUD SHEERING PROBLEMS

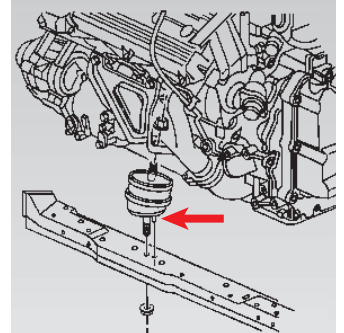


Anchor transmission mount #**2897** fits 2000-2005 Buick, Pontiac and Oldsmobile vehicles with the 3.8L engine. The 2897 mount has grooves on the bottom metal mounting plate and needs to be aligned with the notches on the vehicle's frame. If not properly aligned, the torque from the engine can twist the mount out of position and shear off the stud, resulting in a loud clunking noise and increased drivetrain vibration.

During installation, carefully inspect the position of the mount's recessed slots at the bottom of the mounting plate to make sure of proper alignment with the notches on the vehicle's frame. This will help eliminate sheering of the mount stud.

Note: It is also important to not over torque the transmission mount bolt. The proper torque specification for this application is 52 ft. lbs.

ANCHOR NO. 3020



INSTALLATION TIPS

- Make sure the **mount alignment tab** is correctly seated.
- Install a new heat shield if needed (OEM # 15804790)



The Most Trusted Name In Engine & Transmission Mounts Since 1933!