

# INSTRUCTION SHEET FOR SET #3.2105

Read this instruction sheet thoroughly before initiating any work!

- 4 - Part # 2008 Frame casting shackle eye
- 4 - Part # 2007 Spring eye shackle end
- 4 - Part # 2006 Main eye

Original Equipment rubber bushing removal:

The shackle end bushings (small end) including frame shackle are not pressed but may be stuck as a result of corrosion. They may require a little coaxing. The main eye rubber bushing is encased in an outer metal sleeve that will require pressing out.

**Note:** It is recommended that this set be professionally installed if you are unfamiliar with this type of work, and a factory service manual be purchased prior to performing any work on your vehicle for proper disassembly, reassembly and torque specs. These instructions are intended for bushing removal and install of Energy Suspension polyurethane bushings, once you have removed the factory component from your vehicle.

# INSTRUCTION SHEET FOR SET #3.2105

Read this instruction sheet thoroughly before initiating any work!

- 4 - Part # 2008 Frame casting shackle eye
- 4 - Part # 2007 Spring eye shackle end
- 4 - Part # 2006 Main eye

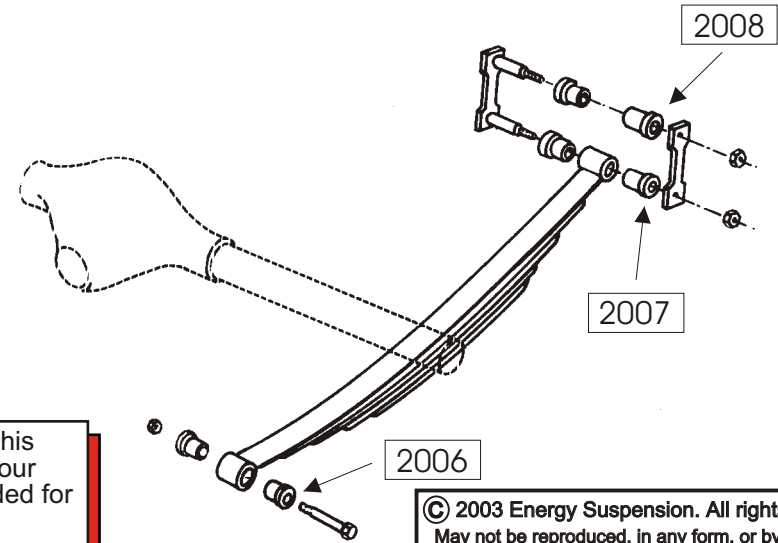
Original Equipment rubber bushing removal:

The shackle end bushings (small end) including frame shackle are not pressed but may be stuck as a result of corrosion. They may require a little coaxing. The main eye rubber bushing is encased in an outer metal sleeve that will require pressing out.

**Note:** It is recommended that this set be professionally installed if you are unfamiliar with this type of work, and a factory service manual be purchased prior to performing any work on your vehicle for proper disassembly, reassembly and torque specs. These instructions are intended for bushing removal and install of Energy Suspension polyurethane bushings, once you have removed the factory component from your vehicle.



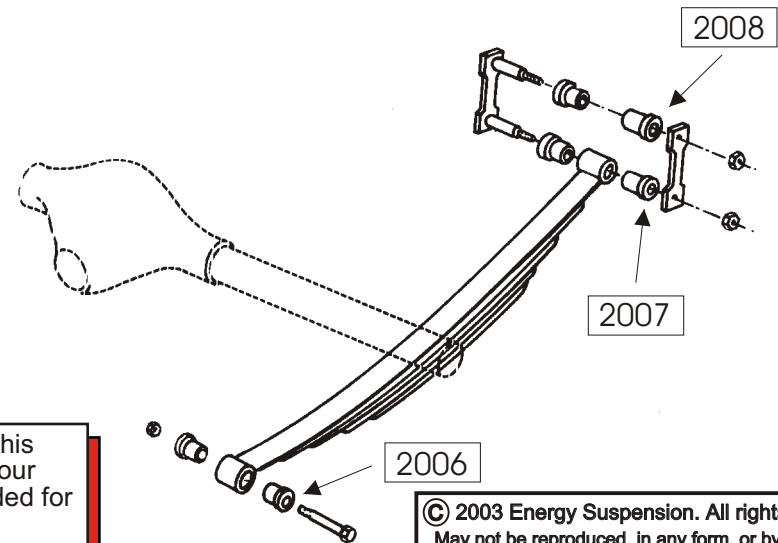
1131 VIA CALLEJON, SAN CLEMENTE, CA 92673



© 2003 Energy Suspension. All rights reserved.  
May not be reproduced, in any form, or by any means,  
without the written consent of Energy Suspension.



1131 VIA CALLEJON, SAN CLEMENTE, CA 92673



© 2003 Energy Suspension. All rights reserved.  
May not be reproduced, in any form, or by any means,  
without the written consent of Energy Suspension.